

Rohinson®

Instructions Manual

Ice Maker R-40012



Read this manual thoroughly before using and save it for future reference.

IMPORTANT SAFETY INSTRUCTIONS

To reduce the risk of fire, explosion, electric shock, or injury when using your ice maker, follow these important safety instructions:

1. Before using check that the voltage power corresponds to the one shown on the appliance nameplate.
2. Do not remove any safety, warning, or product information labels from your ice maker.
3. Plug the ice maker into an exclusive grounded power outlet. No other appliance should be plugged into the same outlet. Be sure that the plug is fully inserted into the receptacle.
4. This appliance must be grounded. It is equipped with a power cord having a grounding plug. The plug must be plugged into an outlet that is properly installed and grounded.
5. Avoid the use of an extension cord because it may overheat and cause a risk of fire. However, if it is necessary to use an extension cord:
 - 1) Use only extension cord with grounding plug.
 - 2) The marked rating of an extension cord must be equal to or greater than the rating of this appliance.
 - 3) It should be positioned such that it does not drape over the counter or tabletop where it can be pulled on by children intentionally.
6. Do not operate any appliance with a damage cord or plug or after the appliance malfunction or has been damaged in any manner. Return the appliance to the nearest authorized service facility for examination, repair or adjustment.
7. If the supply cord is damaged, it must be replaced by the manufacturer or its service agent or a similarly qualified person in order to avoid a hazard.
8. For appliances which use flammable insulation blowing gases, the instructions

shall include information regarding disposal of the appliance.

9. Do not let cord hang over edge of table or counter.
10. Do not place on or near a hot gas or electric burner, or in a heated oven.
11. Place power cord in such a way it cannot be pulled on by children or cause a tripping hazard.
12. Place power cord in such a way that it is not in contact with hot surfaces.
13. The use of attachment not recommended or sold by manufacturer may cause fire, electric shock or injury.
14. Do not touch the evaporator when using the ice maker or making ice to avoid being suffer from frostbite.
15. Do not immerse any part of the product in water.
16. To disconnect, turn any control to "OFF", then remove plug from wall outlet.
17. Do not plug or unplug product with wet hands.
18. Unplug the product before cleaning, maintaining and when not in use.
19. Do not use with water that is microbiologically unsafe or of unknown quality.
20. Do not clean your ice maker with any flammable fluids. The fumes may create a fire hazard or explosion.
21. Do not overturn the ice maker. If the ice maker is overturned accidentally, make it stand steadily for 2 hours before power it on again.
22. If the ice maker is brought in from outside in wintertime, do not use for a few hours, allowing the unit to warm up to the room temperature before operating.
23. Never put flammable, explosive and corrosive articles into the ice maker.
24. Never use the ice maker when there is flammable gas leakage.
25. Never store or use gas and other flammable articles near the ice maker to avoid

any fire.

26. Unplug the ice maker before moving it to avoid damaging the refrigerating system.

27. Do not attempt to disassemble, repair, modify, or replace any part of your product.

28. The appliance is not to be used by persons (including children) with reduced physical, sensory or mental capabilities, or lack of experience and knowledge, unless they have been given supervision or instruction.

29. Children being supervised not to play with the appliance.

30. This appliance can be used by children aged from 8 years and above and persons with reduced physical, sensory or mental capabilities or lack of experience and knowledge if they have been given supervision or instruction concerning use of the appliance in a safe way and understand the hazards involved.

31. Children shall not play with the appliance.

32. Cleaning and user maintenance shall not be made by children without supervision.

33. Close supervision is necessary when any appliance is used by or near children.

34. Do not leave the appliance unattended while in use.

35. Do not use outdoors.


36. Do not use the appliance for other than intended use.

37. Please abandon the ice maker according to local regulators as it uses flammable blowing gas and refrigerant.

38. Please according to local regulations regarding disposal of the appliance for its flammable refrigerant and blowing gas.

-
39. WARNING: Fill with potable water only.
40. WARNING: Keep ventilation openings, in the appliance enclosure or in the built-in structure, clear of obstruction.
41. WARNING: Do not use mechanical devices or other means to accelerate the defrosting process, other than those recommended by the manufacturer.
42. WARNING: Do not damage the refrigerant circuit.
43. WARNING: Do not use electrical appliances inside the food storage compartments of the appliance, unless they are of the type recommended by the manufacturer.
44. Do not store explosive substances such as aerosol cans with a flammable propellant in this appliance.

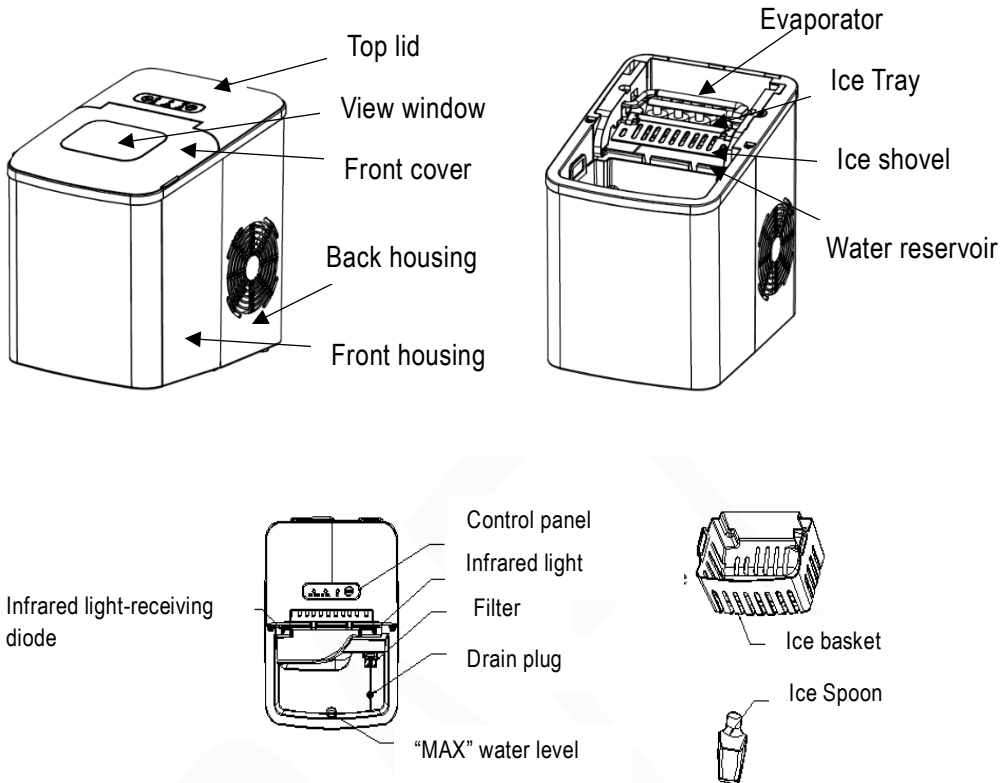


45.  Warning: Risk of fire/flammable materials.
46. WARNING: When positioning the appliance, ensure the supply cord is not trapped or damaged.
47. WARNING: Do not locate multiple portable socket-outlets or portable power supplies at the rear of the appliance.
48. This appliance is intended to be used in household and similar applications such as
- staff kitchen areas in shops, offices and other working environments;
 - farm houses and by clients in hotels, motels and other residential type environments;

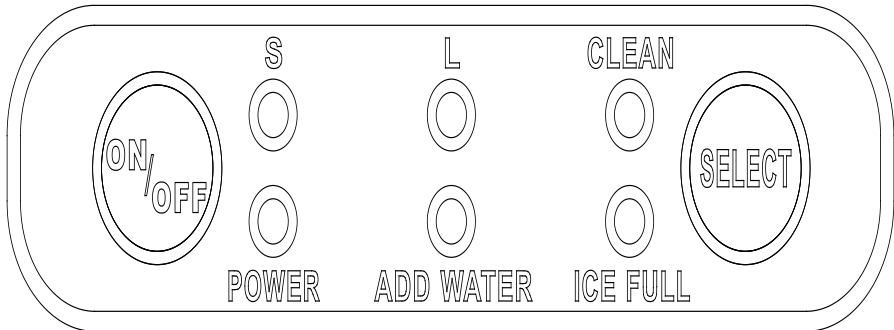
- bed and breakfast type environments;
- catering and similar non-retail applications.

49. Save these instructions.

KNOW YOUR ICE MAKER



CONTROL PANEL



| Key (with indicator) | Function |
|----------------------|---|
| ON/OFF | Start or stop the appliance |
| POWER | Standby mode: "POWER" indicator blinks; Working condition: "POWER" indicator lights solidly. |
| ICE FULL | "ICE FULL" indicator lights up when the ice basket is full. |
| ADD WATER | "ADD WATER" indicator lights up when the water reservoir is lack of water. |
| S | The indicator lights up when select small ice. |

| | |
|--------|---|
| L | The indicator lights up when select large ice. |
| CLEAN | “CLEAN” indicator lights up when the appliance needs to be cleaned. |
| SELECT | Can select “S”, “L” or “CLEAN” under standby mode, after power on, can select “S” or “L”. |

BEFORE FIRST USE

- 1) Unpack the appliance, then check and make sure that all the accessories including ice basket and ice scoop etc. are complete. Please contact with the client service department if some accessories are missed.
- 2) Please ensure the ice maker is level and on a stable table or platform to avoid malfunction.
- 3) The incline angle of the ice maker cabinet should not exceed 45° during transportation or use. Do not turn the ice maker upside down. Doing so could cause the compressor or refrigerating system to operate incorrectly. Please allow time for the fluids in the compressor to settle after the ice maker is moved or transported. Before using the ice maker for the first time, please wait for 2 hours after the unit has been leveled and positioned in the proper place.
- 4) The appliance must be placed on a dry and level surface with sufficient ventilation, far from heat sources such as ovens, heaters and corrosive gases. Leave about a 6-inch (15cm) clearance on all sides of the ice maker for proper ventilation.
- 5) Do not fill the water reservoir with hot water. This may damage the ice maker. It is best to fill the water reservoir with water of room temperature or lower.
- 6) Do not use the appliance at a very cold environment (lower than 5°C).
- 7) Clean the appliance by following the operation of “**CLEANING AND MAINTENANCE**” before operate.

USING YOUR ICE MAKER

1) Ensure that the drain plug at the bottom of water reservoir is closed well.

2) Plug the ice maker into the wall outlet, the "POWER" indicator blinks.

NOTE: Please make the ice maker be rested for 30 minutes before plug if it has been moved.

3) Open the top lid and remove the ice basket.

4) Fill the water reservoir with drinking water.

NOTE: Do not fill above the MAX water level mark.

5) Replace the ice basket and close the top lid.

6) Press "ON/OFF" key, and the "POWER" indicator lights solidly. At that time, press "SELECT" key to select the ice size. If need to clean the appliance, press "SELECT" key to select "CLEAN" function under standby mode.

7) The ice-making cycle will last approximately 7-15 minutes, depending on the ambient temperature and water temperature.

8) The ice-making cycle starts with water being pumped into the ice tray situated below the evaporator. Over the next 7-15 minutes ice forms on the evaporator. Once this has completed, the ice tray will tilt backwards and the remaining water in the ice tray is drained back into the water reservoir. The ice cubes are then dropped from the evaporator and pushed forward into the ice basket by the ice shovel. The ice tray will automatically move back into position under the evaporator and start the next cycle.

9) The "ICE FULL" indicator will light up when the ice basket is full and then the ice maker will stop the ice-making cycle automatically. Gently remove the ice from the ice basket with the ice scoop. About 5 seconds later, the ice maker will restart its ice making function automatically.

10) The "ADD WATER" indicator will light up when the water reservoir is lack of water and the ice-making cycle will stop automatically. At that time, remove the ice basket and add water to the water reservoir, and then press "ON/OFF" key again to restart the ice-making cycle. The appliance will start working automatically after about 30 minutes if the operator forgets to restart the appliance after refill.

- 11) When you have got your desired amount of ice, stop the ice making cycle by pressing the “ON/OFF” key and unplug the unit from the wall outlet.
- 12) Open the top lid and transfer the ice to a freezer.
- 13) Allow the ice maker to reach room temperature.
- 14) Suggest replacing the water every a week. Please empty the water reservoir if the ice maker is not used for a long time.

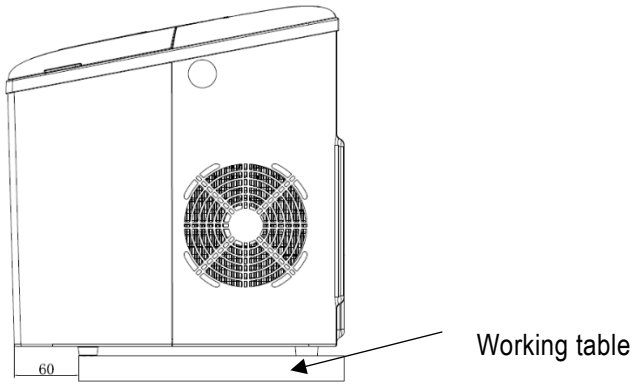
CLEANING AND MAINTENANCE

To keep your ice tasting fresh and your ice maker looking great, we recommend cleaning your ice maker once per week.

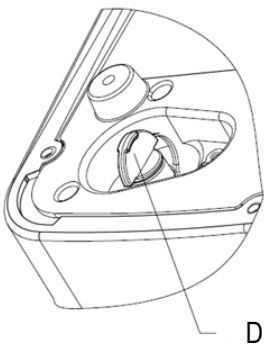
1. Stop the ice-making cycle by pressing the “ON/OFF” key, unplug the ice maker from the wall outlet and allow it to warm up to room temperature.
2. If residual water is found in the ice tray, gently push the ice tray back so that all water drains into the water reservoir.
3. Move the appliance forward to a place 60mm away from the working table and open the drain plug to drain out excess water (see Fig.1, Fig.2 and Fig.3).
4. Remove the ice basket.
5. Clean the ice maker interior with a soft cloth soaked with warm water and vinegar, then rinse with clean water and then drain all the water.
6. Replace the drain plug well in position. Wash the ice basket and ice scoop in warm soapy water. Rinse and dry.
7. Clean the exterior of the ice maker with a soft damp cloth. Use a mild dishwashing soap, if necessary.

NOTE:

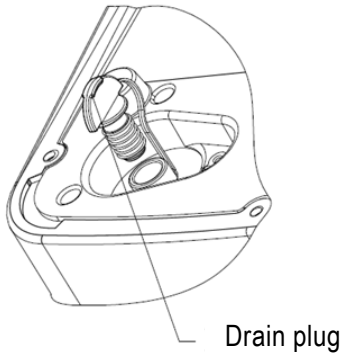
- Do not use organic solvent, boiled water, detergent, strong acid and strong alkali etc. for cleaning.
- Do not clean the evaporator.
- Please empty the water reservoir and dry it for storage if the ice maker is not used for a long time.



(Fig.1)



(Fig.2)



(Fig.3)

TROUBLESHOOTING

| Problem | Possible causes | Solution |
|---------------------------------|--|---|
| "ADD WATER" indicator turns on. | <ol style="list-style-type: none"> 1. Low water level or lack of water. 2. The water screen at the bottom of water reservoir is blocked. 3. Pump malfunction. | <ol style="list-style-type: none"> 1. Stop making ice, refill water and then press "ON/OFF" key to restart ice-making cycle. 2. Do cleaning. 3. Send it to the authorized department for repair. |
| "ICE FULL" indicator lights up. | <ol style="list-style-type: none"> 1. Ice basket is full and the infrared light is blocked by the ice. 2. Infrared light-emitting diode & light-receiving diode do not work. | <ol style="list-style-type: none"> 1. Remove the ice from ice basket. 2a. Wipe up the foreign objects on the infrared light-emitting diode & light-receiving diode and restart the ice maker. 2b. Call Customer Service if the infrared light-emitting diode & light-receiving diode still can not work after wiping |

| | | |
|---|--|---|
| | | up the foreign objects on them and restarting the ice maker. |
| "ADD WATER" and "ICE FULL" indicators turn on simultaneously. | <ol style="list-style-type: none"> 1. The ice tray is not in the right position. 2. The "ICE FULL" condition can not be detected as the infrared light module is interfered by the sunlight. | <ol style="list-style-type: none"> 1. Unplug the appliance and check if the ice tray is blocked by something. 2. Unplug the appliance and move it to a place which is not exposed to the sunlight, then plug the appliance and activate it again. |
| The ice collects together. | Making ice takes too much time. | Stop making ice and restart the ice-making cycle after the ice melts. |
| | The water in the water reservoir is of too low temperature. | Fill the water reservoir with water ranges between 8°C and 25°C. |
| The ice-making cycle seems normal but no ice is produced. | The ambient temperature or water temperature is too high. | Start the ice-making cycle at a environment with an ambient temperature less than 32° C and fill the water reservoir with some cold water. |
| | | |
| | Refrigerating system leaks. | Call customer service. |
| | Refrigerating system blocks. | Call customer service. |
| Poor ice-making | 1.Poor heat dissipation. | 1. Leave a 6-inch |

| | | |
|--------|--|--|
| result | 2.The water temperature is too high. 3.The ambient temperature is too high. | clearance on all sides of the ice maker for proper ventilation. 2. Fill the water reservoir with water ranges between 8°C and 28°C. 3. Operate the ice maker at a environment with an ambient temperature between 10°C and 32°C. |
|--------|--|--|

TECHNICAL PARAMETERS

Power source: 220-240V~50-60Hz
Rated power: 120W
Net weight: 8.3kg
Unit size (DXWXH): 310*230*325mm



IMPORTANT INFORMATION FOR CORRECT DISPOSAL OF THE PRODUCT IN ACCORDANCE WITH EC DIRECTIVE 2012/19/EU.

At the end of its working life, the product must not be disposed of as urban waste. It must be taken to a special local authority differentiated waste collection center or to a dealer providing this service. Disposing of a household appliance separately avoids possible negative consequences for the environment and health, deriving from inappropriate disposal and enables the constituent materials to be recovered to obtain significant savings in energy and resources. As a reminder of the need to dispose of household appliances separately, the product is marked with a crossed-out wheeled dustbin.