

Rohnson®

Instructions Manual

Sandwich Maker R-2762



**For your safety and continued enjoyment of this product
always read the instruction book carefully before using**

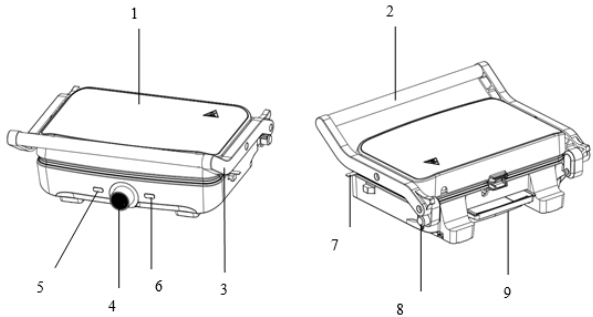
IMPORTANT SAFEGUARDS

READ ALL INSTRUCTIONS

- Use only on AC 220-240 Volt, 50-60 Hz. Use only for household.
- Do not touch hot surfaces. Use handles and knob.
- To protect against risk of electric shock, do not immerse the cord, plug or cooking unit in water or any other liquid.
- Close supervision is necessary when any appliance is used by or near children.
- Unplug from outlet when not in use and before cleaning. Allow to cool before putting on or taking off parts, and before cleaning appliance.
- Do not operate any appliance when has any damage, malfunction, or has been damaged in any manner. In order to avoid the risk of an electric shock, never try to repair the appliance yourself. Take it to an authorized service for examination and repair. An incorrect reassembly could present a risk of electric shock when used.
- The use of accessory attachments not recommended by the manufacturer may result in fire, electrical shock, or risk of injury to persons.
- Do not use outdoors or for commercial purposes.
- Do not let power cord hang over the edge of the table or counter, or touch hot surfaces.
- Do not place on or near a hot gas or electric burner or heated oven.
- Unplug the unit when finished using.
- Extreme caution must be exercised when moving an appliance.

Product Parts:

1. SS panel
2. SS handle
3. Bakelite handle
4. Adjustable thermostat
5. Red indicator light
6. Green indicator light
7. Lock system
8. 180 degree open release
9. Oil tray

**sBEFORE FIRST USE**

- Read all instructions carefully and keep them for future reference.
- Remove all packaging
- Clean the cooking plates by wiping a sponge or cloth dampened in warm water. **DO NOT IMMERSE THE UNIT AND DO NOT RUN WATER DIRECTLY ON THE COOKING SURFACES.**
- Dry with a cloth or paper towel.
- For best results, lightly coat the cooking plates with a little cooking oil or cooking spray.

Notice: When the device is heated for the first time, it may emit slight smoke or odor. This is normal with many heating appliances. This does not affect the safety of your appliance.

HOW TO USE

- Close the appliance and plug it into the wall outlet, you will notice that the power and ready will come on, indicating that the appliance has begun preheating.
- It will take approximately 3 minutes to reach baking temperature, the ready light

will go off.

- Open the appliance, put the sandwich, meat or other foods on the bottom cooking plate.
- Close the lid. The ready light will go on again.
- Cook for about 3 to 8 minutes, the ready light goes off again, or until golden brown, adjusting the time to suit your own individual taste.
- When the food is cooked use the handle to open the lid. Remove the food with the help of a plastic spatula. Never use metal tongs or a knife as these can cause damage to the non-stick coating of the cook plates.
- Once you have finished cooking, disconnect the plug from the wall outlet and leave unit open to cool.

USE AS OPEN GRILL

- Place the appliance on a clean flat surface where you intend to cook. The appliance can be positioned in flat position.
- The upper and lower plates line up to create one large cooking surface. The appliance to this position, locate the release knob (red) under the right arm.
- When it is to be used as an open grill to cooking, press the release knob (red), it can be double its size by opening to 180 degrees. After the press the release red button, to return to the original state.
- Use the appliance as an open grill to cook burgers, steak, poultry (we do not recommend cooking bone-in chicken, since it does not cook evenly on an open grill), fish and vegetables.
- Cooking on the open grill is the most versatile method of using the appliance. In the open position, you have double the surface area for grill.
- You have the option of cooking different types of foods on separates without combining their flavors or cooking large amounts of the same type of food. The open position also accommodates different cuts of meat with varying thicknesses, allowing you to cook each piece to your liking.



CLEANING AND CARE

- Set the Temperature Control to your desired setting. First, try a setting in the max.

You may later adjust it lower or higher according to your preference.

- Close the upper lid of the appliance and plug it into the wall outlet, you will notice that the red and green light will go on, indicating that the appliance has begun preheating.
- It will take approximately 2-4 minutes to reach baking temperature, the red light will go off.
- Open the appliance, put the sandwich, meat or other foods on the bottom cooking plate.
- Close the appliance, the red light will go on again.
- Cook for appliance 5-8 minutes, the red light goes off again several times, or until golden brown, adjusting the time to suit your own individual taste.
- When the food is cooked use the handle to open the lid. Remove the foods with the help of a plastic spatula. Never use metal tongs or a knife as these can cause damage to the non-stick coating of the cook plates.
- Once you are finished cooking, disconnect the plug from the wall outlet and leave unit open to cool.

STORAGE

- Always unplug before storage.
- Always make sure device is cool and dry before string.
- The power cord can be wrapped around the bottom of base for storing.

TECHNICAL SPECIFICATION

Voltage:	220-240V
Frequency	50~60Hz
Rated Power	1600W



Caution:  the surfaces are liable to get hot during use

IMPORTANT INFORMATION FOR CORRECT DISPOSAL OF THE PRODUCT IN ACCORDANCE WITH EC DIRECTIVE 2002/96/EC.

At the end of its working life, the product must not be disposed of as urban waste.

It must be taken to a special local authority differentiated waste collection centre or to a dealer providing this service.

Disposing of a household appliance separately avoids possible negative consequences for the environment and health, deriving from inappropriate disposal and enables the constituent materials to be recovered to obtain significant savings in energy and resources. As a reminder of the need to dispose of household appliances separately, the product is marked with a crossed-out wheeled dustbin.

