

Rohnson®

**Digital Convection Heater
with remote control & Wi-Fi**



INSTRUCTION MANUAL

Model No.: R-088

This product is only suitable for well insulated spaces or occasional use.

**PLEASE READ AND SAVE THESE
INSTRUCTIONS FOR FUTURE REFERENCE**



IMPORTANT SAFEGUARDS

When using electrical appliances, basic safety precautions should always be followed to reduce the risk of fire, electric shock, and injury to persons, including the following:

1. Read all instructions before using the appliance.
2. To avoid fire or shock hazard, plug the appliance directly into a 220-240V AC electrical outlet.
3. DO NOT use external timer, separate remote control system, and extension cable or external adaptor is not recommended with the appliance.
4. The appliance is hot when in use. To avoid burns, DO NOT touch any hot surfaces. Keep combustible materials, such as furniture, pillows, bedding, papers, clothes, and curtains at least 3.3ft (1.0m) from the front of the heater and keep them away from the sides and rear.

WARNING: In order to avoid overheating, DO NOT COVER the heater.

WARNING: To reduce the risk of fire, keep textiles, curtains, or any other flammable material a minimum distance of 1m from the air outlet.

5. To prevent possible fire, DO NOT block air intakes or exhaust vents in any manner. DO NOT use on soft surfaces, like a bed, high pile carpet, where openings may become blocked.
6. DO NOT move the appliance when it is operating. Only move the appliance when it is cool.
7. DO NOT run the cord under carpeting. DO NOT cover cord with throw rugs, runners, or the like. Position the cord away from traffic area and where it will not be tipped over.
8. Do not abuse or damage the power cord. Fully unwind the cord before use as a coiled cord may overheat. Do not allow the supply cord to touch hot surfaces.
9. Discontinue use if plug or outlet becomes hot. This is due to poor electrical contact between the cord plug and the mains power outlet socket. It is recommended that the mains power outlet socket must be replaced by an electrician if plug or outlet is too hot to touch.
10. Connect to a suitable mains power socket, corresponding to the electrical ratings on the heater. Do not overload the household mains power circuit.
11. This appliance is not intended for use in bathrooms, laundry areas and similar indoor location where this it may come in contact with water. NEVER locate appliance where it may fall into a bathtub or other water container. Do not use this heater in the immediate surroundings of a bath, a shower or a swimming pool.
12. Do not immerse any part of this appliance or supply cord in water. Do not use with wet hands or use in any damp conditions.

CAUTION: Extreme caution is necessary when the heater is used by, or near children or people with reduced mental or physical capabilities, and whenever the appliance is left operating and unattended.

13. Always unplug the appliance when not in use.
14. When unplugging, be sure to pull by the plug and not the cord.
15. DO NOT insert or allow foreign objects to enter any ventilation or exhaust vent opening as this may cause an electric shock or fire, or damage the appliance.
16. DO NOT operate the appliance with a damaged cord or plug, or after the appliance malfunctions, has been dropped or damaged in any manner.
17. If the supply cord is damaged, it must be replaced by a qualified electrical person only in order to avoid a hazard or the heater must be disposed.
18. The appliance has hot and sparking parts inside. DO NOT use it in areas where gasoline, paint, or flammable liquids are used or stored.

19. **Use appliance only for intended household use only as described in this manual.** Any other use not recommended by the manufacturer may cause fire, electric shock, or injury to persons. The use of attachments not recommended or sold by the manufacturer cause hazards.
20. **This appliance is designed for indoors ONLY. DO NOT use outdoors.**
21. To disconnect the appliance, turn the ON/OFF control switch to "OFF" (Position '0') *BEFORE* removing the plug from main power outlet.
22. **Avoid the use of an extension cords, extension cord may overheat and cause a risk of fire.**
23. DO NOT attempt to service this appliance yourself. Service and repairs to the items must be done by a qualified electrical person only.
24. Keep this instruction with the appliance. If the appliance is to be used by a third party, this instruction must be supplied with the item.
25. The safety instructions do not by themselves eliminate any danger completely, proper accident prevention measures and common sense must always be used.
26. Use of parts or accessories that does not come with the unit may cause danger and injuries.
27. This appliance is not intended for use by persons (INCLUDING CHILDREN) with reduced physical, sensory or mental capabilities, or lack of experience and knowledge, unless they have been given supervision or instructions concerning use of the appliance by a person responsible for their safety.
28. Children should be supervised to ensure that they do not play with the appliance
29. Heater must not be located immediately below a socket-outlet.
30. NO liability can be accepted for any damage caused by non-compliance with these instructions or any other improper use or mishandling.
31. DO NOT use this heater if there are visible signs of damage to the heater.
32. Use this heater on a flat horizontal and stable surface.
33. Do not use this heater if it has been dropped.
34. For cleaning, please refer to the "CLEANING AND MAINTENANCE" section.
35. For installation, please refer to the section "FOOT ASSEMBLY".

WARNING: This heater is not equipped with a device to control the room temperature. Do not use this heater in small rooms when they are occupied by persons not capable of leaving the room on their own, unless constant competent supervision is provided.

WARNING: Fire risk exists if the heater is covered by or positioned closed to curtains or other combustible materials.

CAUTION: In order to avoid a hazard due to inadvertent resetting of the thermal cut-out, this appliance must not be supplied through an external switching device, such as a timer, or connected to a circuit that is regularly switched on and off by the utility.

**SAVE THESE INSTRUCTIONS
FOR HOUSEHOLD USE ONLY**

SPECIFICATION

Model: DL05e-F / R-088

Standard: CE/EMC/ERP/ROHS

Antenna Type: PCB

Frequency WIFI:CE: 2400MHz-2483.5MHz FCC:2402MHz-2480MHz

Maximum Transmitted Power:11b:17.5dBm

Dimension:700*220*435 (with foot)

Operation Temperature:-20°C-85°C

Power Input:

Producer: Ningbo Baslly Electrical Appliance Co., Ltd

Address: No.1, Weier Road, Wangjia Road Village, Longshan Town, Cixi city,
Zhejiang province, China

Tel: +86-0574-63711369

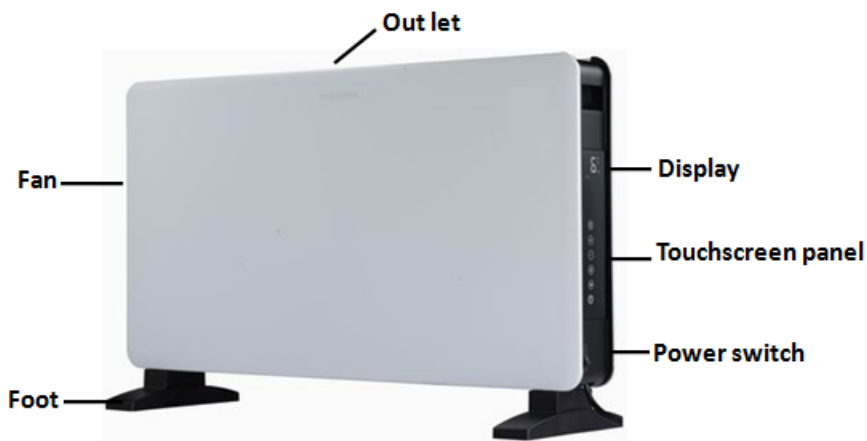
SIMPLIFIED EU DECLARATION OF CONFORMITY

Hereby, Ningbo Baslly Electrical Appliance Co., Ltd, declares that the radio equipment type of R-088 is in compliance with Directive 2014/53/EU. The full text of the EU declaration of conformity is available at the following internet address:

www.rohnsen.eu



PRODUCT SPECIFICATION



PACKAGE CONTENTS

Main Unit

Instruction Manual

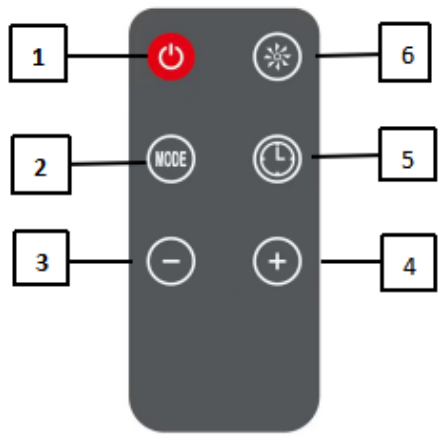






Moulded Feet

Screws for foot assembling

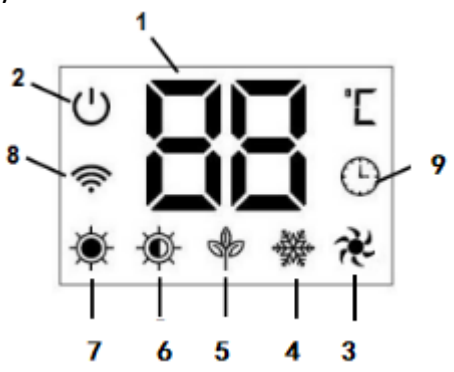
Remote Control (button battery is included)

NOTE: Confirm all parts before disposing of carton. Safely dispose of all plastic bags and other packaging components. They may be potentially dangerous to young children.

REMOTE CONTROL AND GENERAL OPERATION

	<ol style="list-style-type: none"> 1.  ON/OFF Button 2.  Low Heat Output (1000W) / High Heat Output (2000W) / Auto mode / Frost Protection mode 3.  Decrease the Temperature and Timer setting 4.  Increase the Temperature and Timer setting 5.  Timer 6.  Fan
---	---

DIGITAL SCREEN AND GENERAL OPERATION

<p>Symbol:</p> 	<p>Function:</p> <ol style="list-style-type: none"> 1. Temperature Indicator & Time Indicator 2. ON/OFF 3. Fan System 4. Frost Protection 5. Auto Mode 6. Low Heat Output (1000W) 7. High Heat Output (2000W) 8. Wi-Fi signal 9. Timer
---	---

BATTERY INSTALLATION (REMOTE CONTROL)

- First Time Use

Remove (pull) and discard the insulation film as shown in figure on the right.

- If the battery is flat, replace it as below:

1. Drive out the screw on the rear of the remote control.
2. Push and slide out the battery holder as figure 1 below.
3. Replace the battery with a new CR2025 button cell battery. The polarity markings are shown on the rear of the Remote Control.
4. Close the battery holder.



Fig 1.



BATTERY PRECAUTIONS

Follow these precautions when using a battery in this device:

1. Use only the size and type of battery specified.
2. Be sure to follow the correct polarity when installing the battery as indicated in the battery compartment. A reversed battery may cause damage to the device.
3. If the battery in the device is consumed or device is not to be used for a long period of time, remove the battery to prevent damage or injury from possible battery leakage.
5. Do not try to recharge the battery not intended to be recharged; It can overheat and rupture. (Follow battery manufacturer's instructions.)
6. The battery shall not be exposed to excessive heat such as sunshine, fire or the like.
7. Clean the battery contacts and also those of the device prior to battery installation.

WARNING: Do not ingest battery, Chemical Burn Hazard.

This product contains a coin/button cell battery. If the coin/button cell battery is swallowed, it can cause severe internal burn in just 2 hours and can lead to death. Keep new and used batteries away from children. If the battery compartment does not close securely, stop using the product and keep it away from children. If you think batteries might have been swallowed or placed inside any part of the body, seek immediate medical attention.

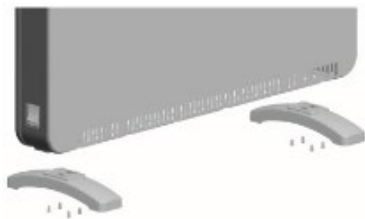


FOOT ASSEMBLY



The device must be installed so that airflow is not obstructed.

- Carefully turn the unit upside down. Use the Screws to fix the Feet onto the Heater. Take care to ensure that they are located correctly at the bottom ends of the heater side molding.
- Be sure to place the convection heater on a flat surface.



DIGITAL SCREEN AND REMOTE CONTROL OPERATION

THIS APPLIANCE MUST BE EARTHED.



- Ensure the ON/OFF control switch is in the OFF (position '0') position before connecting to mains power.
- Make sure the appliance, including the plug and cord, is not damaged.
- Insert power plug into a wall socket with correct power output, 220-240V 50Hz.

The buttons of touchscreen located on the product correspond to the remote control functions.



The digital screen operation:



1. Connect the appliance to a safety socket, and switch on the POWER SWITCH on the side panel. After a beep sound, the heater enters into standby mode and the screen shows the approx. ambient temperature in the room.





2. Power setting:

2.1 Press the ON/OFF button , the heater goes into "Auto Mode" for heating and icon  lights on.

Note: Under "Auto Mode", the default setting temperature is 25°C, the heater will start heating or stop automatically. You cannot set your desired temperature.

2.2. Press the Fan button , the Fan system will be **ON** or **OFF**. The icon  will light on or go out.

2.3 The button  is a multi-function switch. Press the button  in turns, the heater can obtain the following functions.



- Low Heat Output (1000W) 
- High Heat Output (2000W) 
- Auto Mode 
- Frost Protection Mode 

Note: Under "Frost Protection mode", the default setting temperature is 7°C and when the room temperature is lower than 7°C, the heater will start heating.

3. Temperature setting:

The ambient temperature is displayed every time the appliance starts up.






The temperature can be set when the appliance is operating. The temperature regulation range is 5°C - 45°C.

- Press the button  or  to set the temperature. The temperature will increase or decrease by 1°C after each press. The setting will be memorized and confirmed after 3 seconds.
- When the ambient temperature is higher than the preset temperature, the heater will stop heating.
- When the ambient temperature is lower than the preset temperature, the heater will start heating automatically.

IMPORTANT! After setting, the shown temperature on the display screen is the ambient temperature. The heater will start to function only when the set temperature is higher than the ambient temperature.


4. Timer setting:

Timer can be set from 1h - 24h.

Press the Timer button "", the icon  will flash, press buttons " " " " to select the desired range between 1 to 24 hours. The timer will increase or decrease by 1 hour after each press. In the timer setting, the timer symbol  will light on and be shown on the display. The setting will be memorized and confirmed after 3 seconds.

For example, if you set the timer to 1 hour, the heater will switch OFF automatically after 1 hour.

5. Child Lock

Press the “+” and “-“ button simultaneously for 5 seconds to activate the child lock function for **ON** or **OFF**. The symbol “” will light up or go out on the LED display.

Settings can be adjusted again after turning off the child lock function.

Note: This function can only be set from the heater, and not by remote control.

OPERATING SOUND

The appliance emits a beep upon each operation setting.

NOTE: There is a tip-over switch inside the heater. If the heater is knocked over, the power to the heater will shut off automatically.

WARNING! FOR ELECTRICAL SAFETY THIS APPLIANCE MUST BE PLUGGED INTO AN EARTHED ELECTRICAL POWER SOCKET OUTLET! – If you are uncertain, please consult an electrician.



CLEANING AND MAINTENANCE

Before cleaning

- When not in use or before cleaning, always disconnect the appliance from mains power supply.

Cleaning

- Cleaning must be done only when the heater has cooled down completely.
- Do not immerse the whole unit in water or other liquid.
- Do not use harsh solvents on the unit.
- Wipe the exterior of the appliance with a soft damp cloth.
- Dry the unit completely with a dry cloth.

IMPORTANT! Check for damage

- Always check that the appliance is in good working order, there is no damage visible and all parts are secure.
- Check the power supply cord and plug regularly for cuts or damage. If any damage is visible on the product, DO NOT use the heater.

Store in a safe place

- When not in use, disassemble and store your appliance and instruction manual in a safe and dry place away from moisture and heat.

NOTE: Always clean and store away your appliance with this instruction manual when not in use.

TECHNICAL DATA



Details	R-088
Voltage	220-240V~
Frequency	50-60Hz
Power	1000/2000W
Remote control	Included

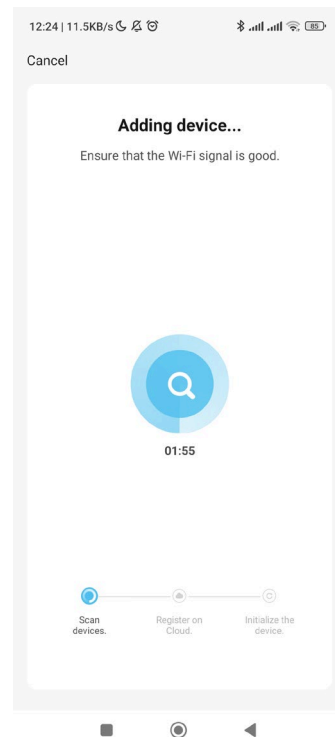
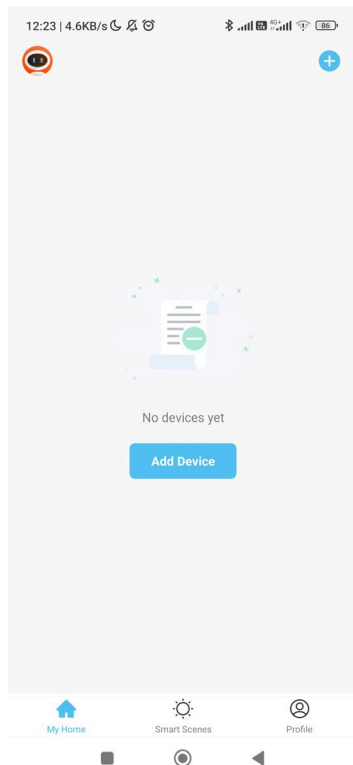
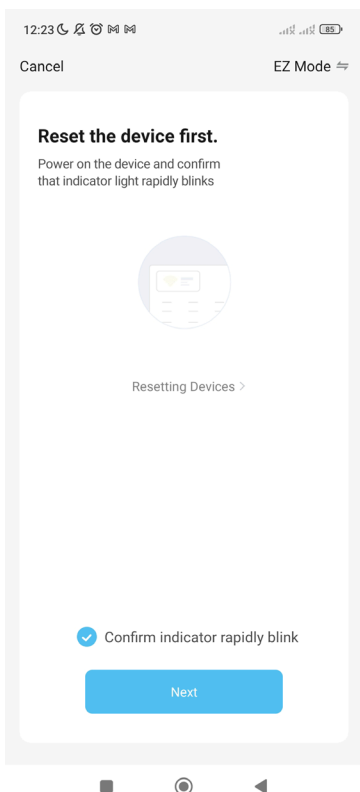
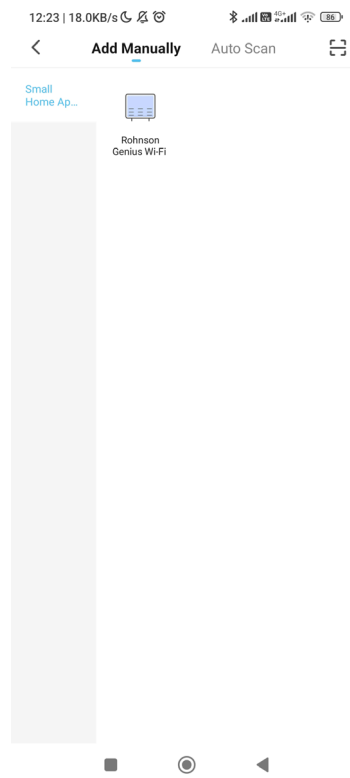
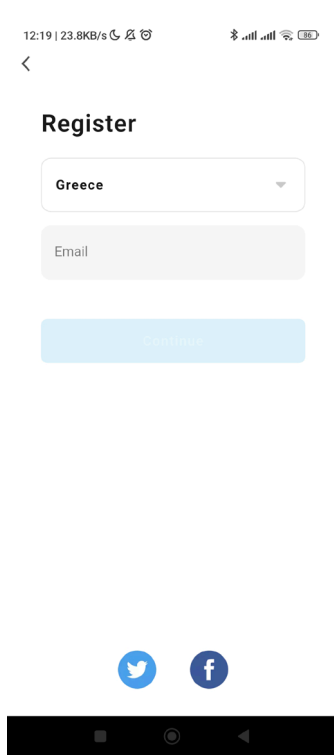
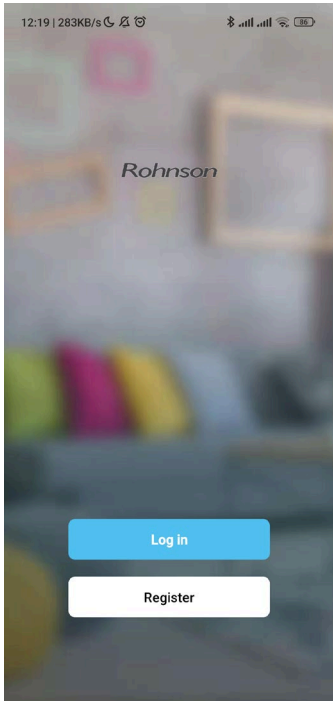
DETAILS FOR Wi-Fi CONNECTIVITY

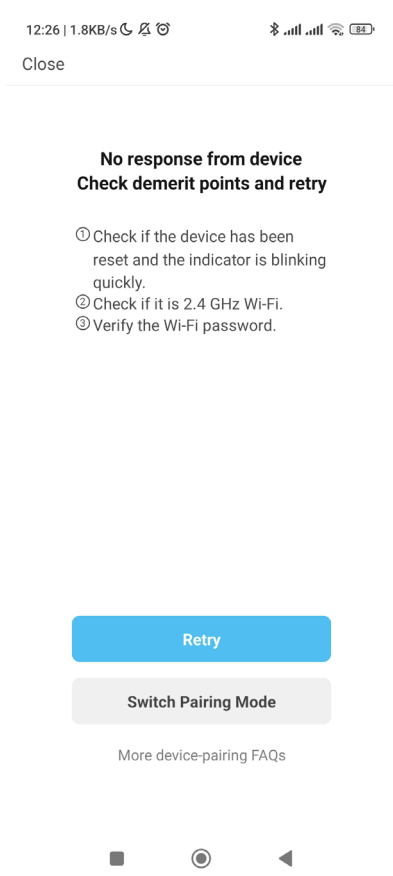
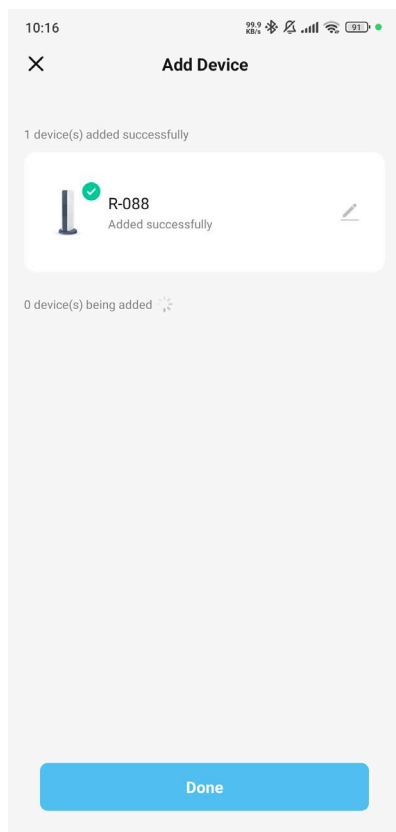
Please scan QR code to download Rohnson APP for *Android as below*.
APP Store for IOS mobile device



Connection by WIFI

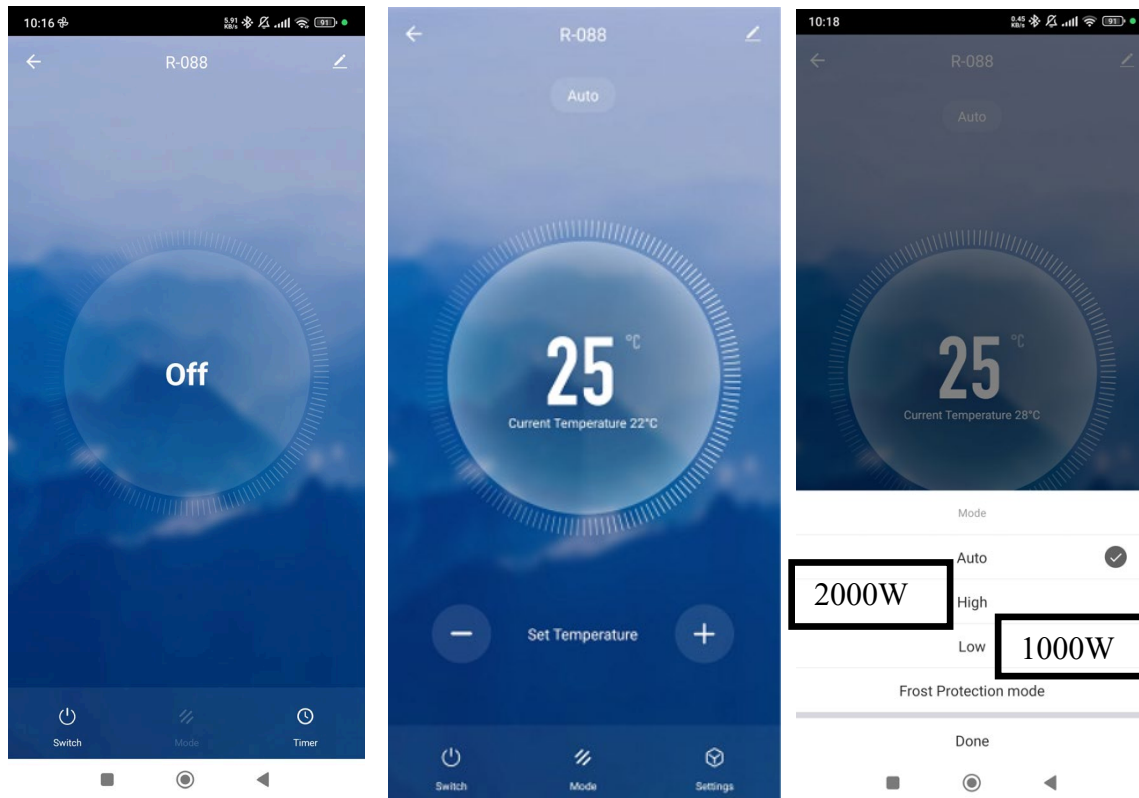
1. Use your phone to scan the QR code above or search “Rohnson” App in Play store or App store. Download and install the Rohnson App.
2. Select Register. Then, select your country, enter email and tap “Continue” to get a message containing verification on code.
3. Enter the verification on code in the message and tap “Login” to login the App.
4. Please activate the Bluetooth function on your mobile phone.
5. Press the safety switch at the side of the unit. The Wi-Fi indicator light will rapidly blinks. If the indicator light does not rapidly blinks, please press on/off button  and then press Wi-Fi button  and the Wi-Fi signal will rapidly blinks, then go to the App, tap “add device” at the bottom.





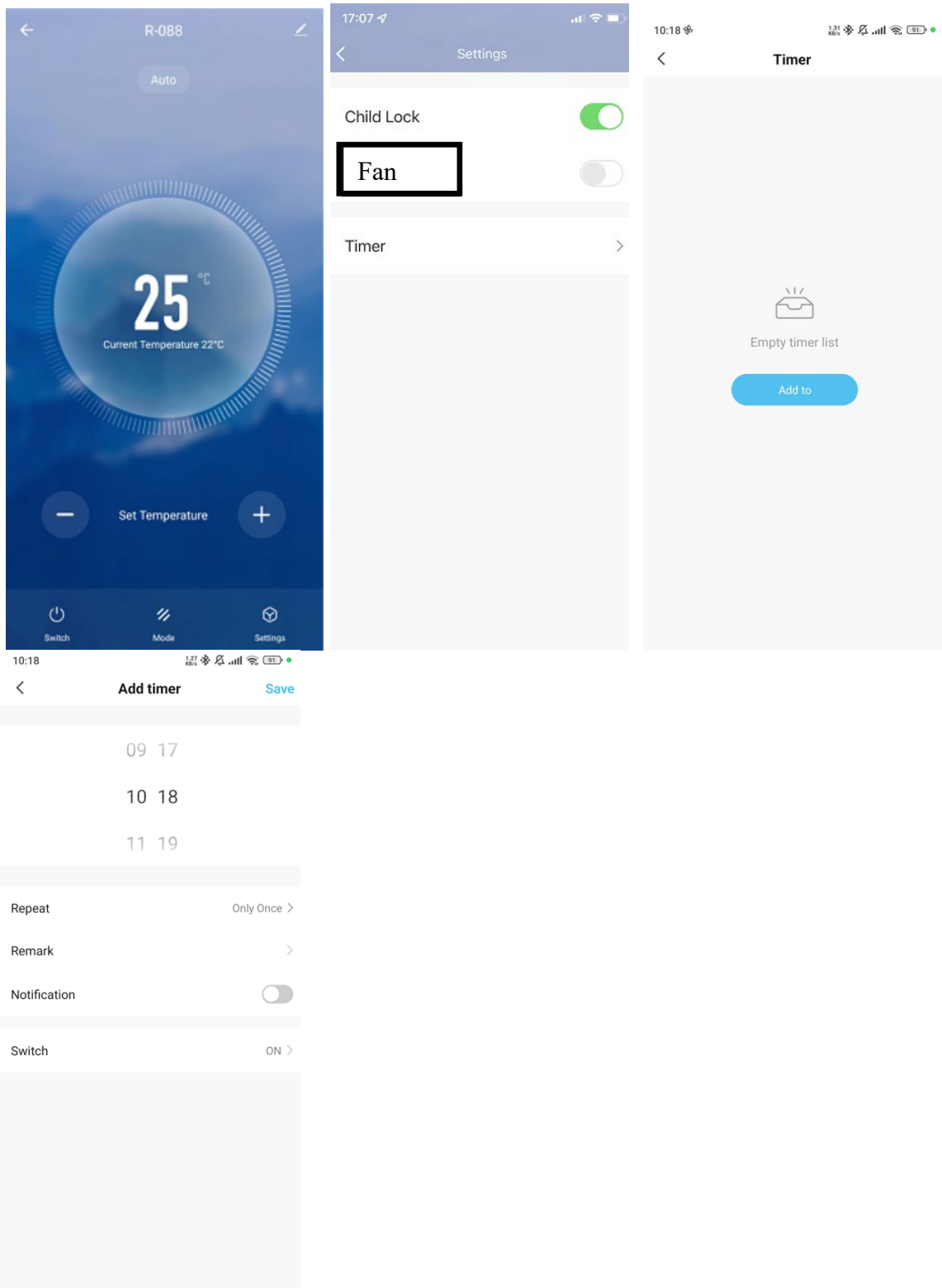
The product will be added successfully.

In case you see this message, please check the three possible reasons and retry.

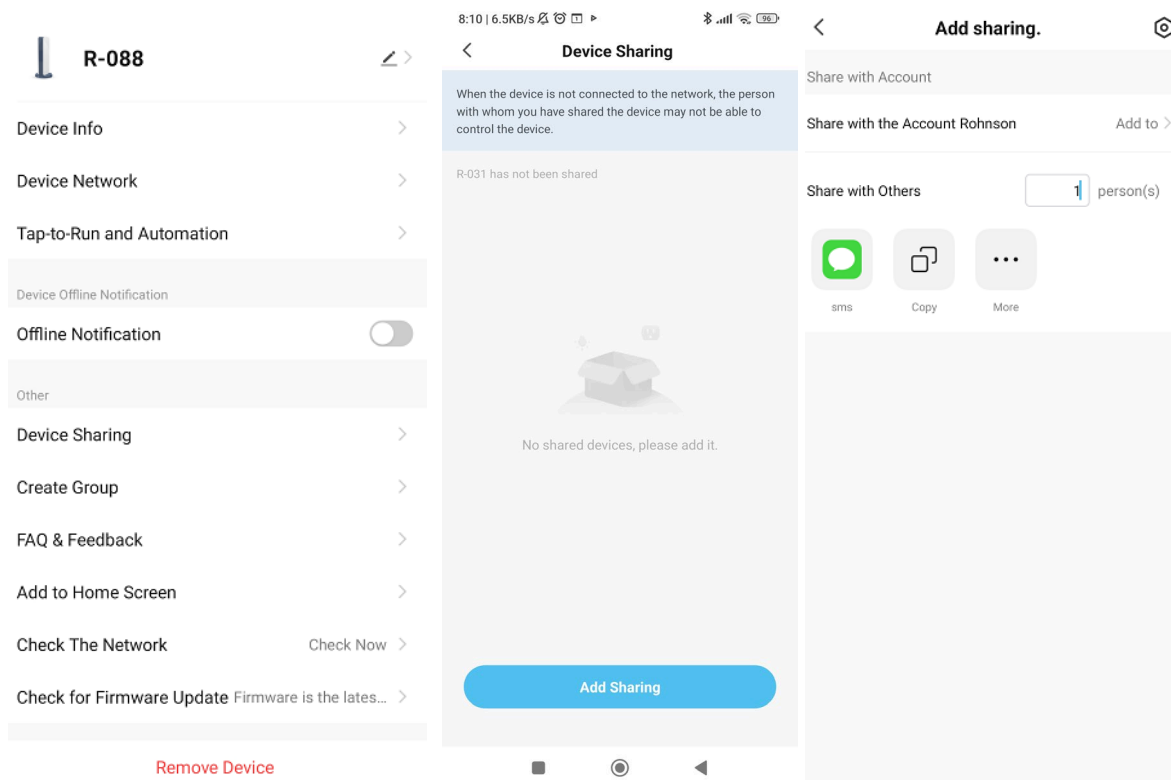



Now, the unit is off. Press the on/off “**Switch**” to turn the unit on. Then, the unit is on. You can adjust your desired temperature from 5-45°C. Once you turn on the heater, it goes into AUTO mode and the default setting temperature is 25°C.

Select **Mode** to set your desired heating mode. You can select among the following functions: Auto / High (2000W) / Low (1000W) / Frost protection mode the device.



Select **Settings** to turn on/off the child lock, to set timer function (1-24h) or your own schedule (weekly program – specific day and time).
Then, press “Save” button in top right corner to save the setting.
Select “Fan” to turn on/off the fan function.



Select  for more options on your device.

You can change your product's name, check device info or share your device with other people. Choose device sharing, add sharing, share with the Account Rohnson or other options. You can share the product with maximum 20 people.



IMPORTANT INFORMATION FOR CORRECT DISPOSAL OF THE PRODUCT IN ACCORDANCE WITH EC DIRECTIVE 2002/96/EC.

At the end of its working life, the product must not be disposed of as urban waste. It must be taken to a special local authority differentiated waste collection center or to a dealer providing this service. Disposing of a household appliance separately avoids possible negative consequences for the environment and health, deriving from inappropriate disposal and enables the constituent materials to be recovered to obtain significant savings in energy and resources. As a reminder of the need to dispose of household appliances separately, the product is marked with a crossed-out wheeled dustbin.

Information requirements for electric local space heaters

Model number: R-088

Item	Symbol	Value	Unit	Item	Symbol	Value	Unit
Heat Output				Type of heat input, for electric storage local space heaters only (select one)			
Nominal heat output	P_{nom}	1,8-2,0	kW	Manual heat charge control, with integrated thermostat		No	
Minimum heat output (indicative)	P_{min}	1,0	kW	Manual heat charge control with room and/or outdoor temperature feedback		No	
Maximum continuous heat output	$P_{max.c}$	2,0	KW	Electronic heater charge control with room and/or outdoor temperature feedback		No	
Auxiliary electricity consumption				Fan assisted heat output		No	
At nominal heat output	eI_{max}	0	kW	Type of heat output / room temperature control (select one)			
At minimum heat output	eI_{min}	0	kW	single stage heat output and no room temperature control		No	
In standby mode	eI_{SB}	0.00072	kW	Two or more manual stages, no room temperature control		No	
				with mechanic thermostat room temperature control		No	
				with electronic room temperature control		No	
				electronic room temperature control plus day timer		No.	
				electronic room temperature control plus week timer		Yes	
				Other control options (multiple selections possible)			
				room temperature control, with presence detection		No	
				room temperature control, with open window detection		NO	
				with distance control option		Yes	
				with adaptive start control		No	
				with working time limitation		Yes	
				with black bulb sensor		No	

