

Rohinson[®]

Instructions Manual

Sandwich maker R-2710, R-2715, R-2720 Nostalgia



**For your safety and continued enjoyment of this product
always read the instruction book carefully before using**

IMPORTANT SAFEGUARDS

• READ ALL INSTRUCTIONS

- Use only on AC 220-240 Volt, Use only for the household.
- Do not touch hot surfaces. Use handles or knobs.
- To protect against the risk of electric shock, do not immerse the cord, plug, or cooking unit in water or any other liquid.
- Close supervision is necessary when any appliance is used by or near children.
- Unplug from the outlet when not in use and before cleaning. Allow to cool before putting on or taking off parts, and before cleaning the appliance.
- Do not operate any appliance with a damaged has malfunctioned or has been damaged in any manner. In order to avoid the risk of an electric shock, never try to repair the appliance yourself. Take it to an authorized service station for examination and repair. Incorrect reassembly could present a risk of electric shock when the appliance is used.
- The use of accessory attachments not recommended by the manufacturer may result in fire, electrical shock, or risk of injury to persons.
- Do not use outdoors or for commercial purposes.
- Do not let the power cord hang over the edge of the table or counter, or touch hot surfaces.
- Do not place on or near a hot gas or electric burner or heated oven.
- Unplug the unit when finished using it.
- Do not use the appliance for other than intended use.
- Do not intend to operate by means of an external timer or separate remote-control system.
- Extreme caution must be exercised when moving an appliance containing hot oil or other hot liquids.
- This appliance can be used by children aged 8 years and above and persons with reduced physical, sensory, or mental capabilities, or lack of experience and knowledge if they have been given supervision or instruction concerning the use of the appliance in a safe way and understand the hazards involved. Children shall not play with the appliance. Cleaning and user maintenance shall not be made by children unless they are older than 8 and supervised.
- Keep the appliance and its cord out of reach of children less than 8 years.
- The temperature of accessible surfaces may be high when the appliance is operating.

- The appliances are not intended to be operated by means of an external timer or separate remote-control system.
- **CAUTION:** hot surface.

If the supply cord is damaged, it must be replaced by the manufacturer, its service agent, or similarly qualified persons in order to avoid a hazard.

WARNING: TO REDUCE THE RISK OF FIRE OR ELECTRIC SHOCK, ONLY AUTHORIZED PERSONNEL SHOULD DO REPAIRS.

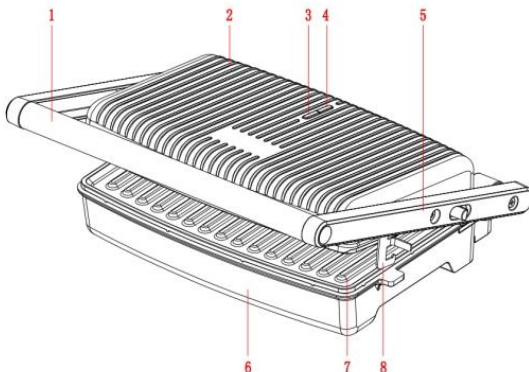
SAVE THESE INSTRUCTIONS

FOR HOUSEHOLD USE ONLY

GROUNDING PLUG

To reduce the risk of electric shock this appliance has a grounded plug. If the plug does not fit fully into the electrical outlet contact a qualified electrician. Do not modify the plug in any way or use an adaptor.

PARTS IDENTIFICATION



1. Handle
2. Upper Housing
3. Ready Light
4. Power Light
5. 180 degree angle button
6. Bottom Housing
7. Grill Non-stick Plate
8. Lock

BEFORE FIRST USE

- Read all instructions carefully and keep them for future reference.
- Remove all packaging

- Clean the Cooking Plates by wiping a sponge or cloth dampened in warm water. **DO NOT IMMERSE THE UNIT AND DO NOT RUN WATER DIRECTLY ON THE COOKING SURFACES.**

- Dry with a cloth or paper towel.
- For best results, lightly coat the cooking plates with a little cooking oil or cooking spray.

Notice: When your appliance is heated for the first time, it may emit slight smoke or odor. This is normal with many heating appliances. This does not affect the safety of your appliance.

HOW TO USE

Before using the appliance for the first time, peel off any promotional and packaging materials, and check that the cooking plates are clean and free of dust. If necessary, wipe over with a damp cloth. For best results, pour a teaspoon of oil onto the non-stick plates. Spread over with an absorbent kitchen towel and wipe off any excess oil.

PREPARING YOUR APPLIANCE

- Close the appliance and plug it into the wall outlet, you will find the red power lights, indicating that the appliance has begun preheating.
- It will be preheating approximately 3~5 minutes to reach baking temperature, when the green ready lights get off, the appliance is ready for use.

COOKING

To Use as a Contact Grill

- Prepare the burgers, boneless pieces, and thin cuts of meat, or other foods as directed and place it onto the bottom cooking plate.
- Close the top cooking plate which has a floating hinge that is designed to evenly press down on the food. The top plate must be fully lowered to achieve Grill marks on the selected foods.
- When the food is cooked use the handle to open the lid. Remove the food with the help of a plastic spatula. Never use metal tongs or a knife as these can cause damage to the non-stick coating of the cook plates.
- Use the appliance as a contact grill to cook burgers, boneless pieces of meat, thin cuts of meat, and vegetables.

- Use the appliance as a contact grill, when you want to cook something in a short amount of time or when you are looking for a healthy method of grilling. When cooked on the contact grill, food will cook quickly because you are grilling both sides of the food at the same time. The ribs on the grill plates combined with the grease spout at the corner of the plate allow the grease to drip from the meat and drain off the plates.

To Use as a Press grill

- Prepare the sandwiches as directed and place them onto the bottom cooking plate. Always place sandwiches towards the rear of the bottom cooking plate.
- Close the top cooking plate which has a floating hinge that is designed to evenly press down on the sandwich. The top plate must be fully lowered to cook sandwiches.
- Cook for about 3 to 6 minutes or until golden brown, adjusting the time to suit your own individual taste.
- When the sandwich is cooked use the handle to open the lid. Remove the sandwich with the help of a plastic spatula. Never use metal tongs or a knife as these can cause damage to the non-stick coating of the cook plates.
- Use the appliance as a press-grill to grill sandwiches, breads, and quesadillas.
- The appliance was designed with a unique handle and hinge that allows the cover to adjust to the thickness of the food. You can easily grill anything from a thinly-sliced potato to a thick sirloin steak with even results.
- When cooking more than one food item in the contact grill, it is important that the thickness of food items is consistent so the cover will close evenly on the food.

To Use as an Open grill

- Place the appliance on a clean flat surface where you intend to cook. The appliance can be positioned in a flat position.
- The upper plate/cover is level with the lower plate/base. The upper and lower plates line up to create one large cooking surface. The appliance to this position,
- With your left hand on the handle, use your right Hold the 180° angle button. Push the handle back until the cover rests flat on the counter. The unit will stay in this position until you lift the handle and cover to return it to the closed position.
- Use the appliance as an open grill to cook burgers, steak, poultry (we do not recommend cooking bone-in chicken, since it does not cook evenly on an open grill), fish, and vegetables.

- Cooking on the open grill is the most versatile method of using the appliance. In the open position, you have double the surface area for the grill.
- You have the option of cooking different types of foods separately without combining their flavors or cooking large amounts of the same type of food. The open position also accommodates different cuts of meat with varying thicknesses, allowing you to cook each piece to your liking.

CLEANING AND CARE

- Always unplug the appliance and allow it to cool before cleaning. The unit is easier to clean when slightly warm. There is no need to disassemble the appliance for cleaning. Never immerse the appliance in water or place it in the dishwasher.
 - Wipe cooking plates with a soft to remove food residue. For baked-on food residue squeeze some warm water mixed with detergent over the food residue then clean with a non-abrasive plastic scouring pad or place wet kitchen paper over the grill to moisten the food residue.
 - Do not use anything abrasive that can scratch or damage the non-stick coating.
 - Do not use metal utensils to remove your foods, they can damage the non-stick surface.
 - Wipe the outside of the appliance with a damp cloth only. Do not clean the outside with any abrasive scouring pad or steel wool, as this will damage the finish. Do not immerse in water or any other liquid.
 - Do not place in the dishwasher.
 - Remove and empty the drip tray after each use and wash the tray in warm, soapy water. Avoid the use of scouring pads or harsh detergents as they may damage the surface.
- Rinse and dry thoroughly with a clean, soft cloth and replace.

STORAGE

- Always unplug the appliance before storage.
- Always make sure the appliance is cool and dry before the string.

Caution:

- The grilling surfaces as well as the sides and top of the appliance get very hot. Avoid any contact. Danger of burning! Only hold by the handle.

- The appliance must always be positioned horizontally during use.
- If the supply cord is damaged, it must be replaced by the manufacturer or its service agent or a similarly qualified person in order to avoid a hazard.
- Do not immerse the appliance in any liquid.
- The temperature of accessible surfaces may be high when the appliance is operating.
- **WARNING:** Charcoal or similar combustible fuels must not be used with this appliance.
- This appliance can be used by children aged from 8 years and above and persons with reduced physical, sensory or mental capabilities or lack of experience and knowledge if they have been given supervision or instruction concerning use of the appliance in a safe way and understand the hazards involved. Children shall not play with the appliance. Cleaning and user maintenance shall not be made by children without supervision.

Technical Specifications

Voltage	220V-240V~
Frequency	50/60Hz
Rated Power	1500W

IMPORTANT INFORMATION FOR CORRECT DISPOSAL OF THE PRODUCT IN ACCORDANCE WITH EC DIRECTIVE 2002/96/EC.

At the end of its working life, the product must not be disposed of as urban waste.

It must be taken to a special local authority differentiated waste collection center or to a dealer providing this service.

Disposing of a household appliance separately avoids possible negative consequences for the environment and health, deriving from inappropriate disposal and enables the constituent materials to be recovered to obtain significant savings in

energy and resources. As a reminder of the need to dispose of household appliances separately, the product is marked with a crossed-out wheeled dustbin.

