

***Rohinson***<sup>®</sup>

Instructions Manual

**Retro Kettle R-7710, R-7715, R-7720**



**For your safety and continued enjoyment of this product always read the instruction book carefully before using**

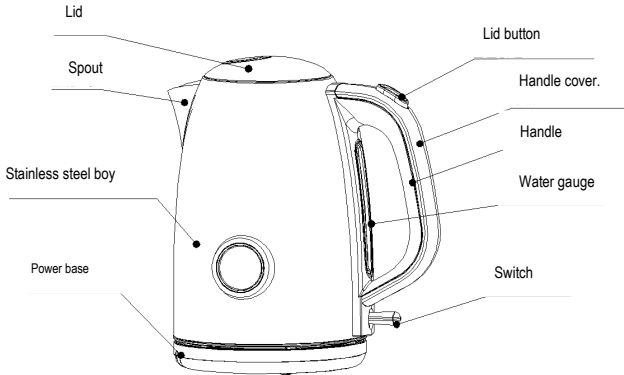
**IMPORTANT SAFETY INSTRUCTIONS**

1. Read all instructions before using.
2. Before connecting the kettle to the power supply, check that the voltage indicated on the appliance (underside the kettle & base) corresponds with the voltage in your home. If this is not the case, contact your dealer and stop using the kettle.
3. Do not let the cord hang over the edge of a table or counter or touch a hot surface.
4. Do not place on or near a hot gas or electric burner or in a heated oven.
5. Do not operate the appliance without anything in it to avoid damaging the heat elements.
6. Ensure that the kettle is used on a firm and flat surface out of reach of children, this will prevent the kettle from overturning and avoid damage or injury.
7. To protect against a fire, electric shock or personal injury, do not immerse cord, electric plugs or kettle in water or other liquids.
8. While water is boiling, or just after the water has been boiled, avoid contacting with steam from the spout.
9. Always take care to pour boiling water slowly and carefully without tipping the kettle too fast.
10. Be careful of refilling when the kettle is hot.
11. This appliance can be used by children aged from 8 years and above and persons with reduced physical, sensory, or mental capabilities or lack of experience and knowledge if they have been given supervision or instruction concerning use of the appliance in a safe way and understand the hazards involved. Children shall not play with the appliance. Cleaning and user maintenance shall not be made by children unless they are older than 8 and supervised. Keep the appliance and its cord out of reach of children aged less than 8 years.
12. Children should be supervised to ensure that they do not play with the appliance.
13. Do not touch the hot surface. Use the handle or the button.
14. The attached base cannot be used for other than intended use

15. Extreme caution must be used when moving an appliance containing hot water.
16. The appliance is not a toy. Do not let the children play it.
17. The kettle is for household use only. Do not use outdoors.
18. The use of accessories, which are not recommended by the appliance manufacturer, may result in fire, electric shock, or personal injury.
19. Unplug the kettle from the outlet when not in use and before cleaning. Allow the kettle to cool before putting on or taking off parts, and before cleaning the appliance.
20. To disconnect, turn any control to "off," then remove plug from wall outlet.
21. If the supply cord is damaged, it must be replaced by the manufacturer or its service agent or a similarly qualified person to avoid a hazard.
22. Do not use the appliance for other than intended use.
23. The kettle can only use with the stand provided.
24. If the kettle is overfilled, boiling water may spill out.
25. Always ensure the lid is closed and do not lift it while the water is boiling. Scalding may occur if the lid is removed during the brewing cycles.
26. This appliance can be used by children aged from 8 years and above if they have been given supervision or instruction concerning use of the appliance in a safe way and if they understand the hazards involved. Cleaning and user maintenance shall not be made by children unless they are older than 8 and supervised. Keep the appliance and its cord out of reach of children aged less than 8 years.
27. This appliance is intended to be used in household and similar applications such as:
  - Staff kitchen areas in shops, offices and other working environments;
  - Farm houses;
  - By clients in hotels, motels and other residential type environments;
  - Bed and breakfast type environments.
28. Avoid spillage on the connector.
29. Be care of potential injury from misuse.
30. The heating element surface is subject to residual heat after use.

31. Save these instructions.

## **KNOW YOUR ELECTRIC KETTLE**



## **BEFORE USING YOUR KETTLE**

If you are using the kettle for the first time, it is recommended that you clean your kettle before use by boiling the Max capacity of water once and then discarding the water twice. Wipe the surface with a damp cloth.

**NOTE:** The max capacity of kettle is 1.7L.

## **USING YOUR ELECTRIC KETTLE**

1. Place the kettle on the flat surface.
2. To fill the kettle, remove it from the power base and open the lid by pressing the down lid release button, then fill the kettle with the desired amount of water and close the lid. The water level must be within the Min and the Max level. Too little water will cause the kettle to switch off before the water has boiled.

**NOTE:** Do not fill the water over the maximum level, as water may spill out of the spout when boiling. Ensure that the lid is firmly in place before plugging the power outlet.

3. Position the kettle on the power base.
4. Connect the plug into a power outlet. Press down the switch and the indicator will light up, and then the kettle starts to boil the water. The kettle will switch off automatically once the water has boiled. If necessary, it will take you 30 seconds to wait before pressing the switch again to re-boil the water. You may shut off the power by lifting the switch up or directly lift the kettle from the power base at any moment to stop the boiling process.

**NOTE:** Ensure that switch is free of obstructions and the lid is firmly closed, the kettle will not turn off if the switch be constrained or if the lid is opening.

5. Lift the kettle from the power base and then pour the water.

**NOTE:** Operate carefully when pouring the water from your kettle as boiling water may result in scald, besides, don't open the lid while the water in the kettle is hot.

6. The kettle will not re-boil until the switch is pressed again. The kettle may be stored on the power base when not in use.

**NOTE:** Always disconnect the power supply when not use.

### **BOIL-DRY PROTECTION**

Should you accidentally let the kettle operate without water, the function of boil-dry protection will automatically switch off the power. If this occurs, allow the kettle to cool prior to filling it with cold water before re-boiling.

### **CLEANING AND MAINTENANCE**

Always disconnect the appliance from the power outlet and cool it down completely before cleaning.

1. Never immerse the kettle, power cord or power base in water, or allow moisture to contact these parts.
2. Wipe the appearance of body with a damp cloth or cleaner, never use a poisonous cleaner.
3. Remember to clean the filter at intervals. For easier cleaning, detach the filter

by pressing down the tab of filter inside the kettle and then replace it after cleaning.

**CAUTION:** Do not use chemical, steel, wooden or abrasive cleaners to clean the outside of the kettle to prevent the gloss loss.

4. When not used or storage, the power cord may be wind under the bottom of kettle.

### **REMOVAL OF MINERAL DEPOSITS**

Your kettle should be periodically descaled as the mineral deposits in tap water may form scale on the bottom of kettle so as to cause the operation less efficiency. You can use the commercially available descaler and follow the instructions on the package of descaler. Alternatively, you may follow the instructions below using the white vinegar.

1. Fill the kettle with 3 cups of white vinegar, then add water to the amount so as to cover the bottom of kettle completely. Leave the solution in the kettle overnight.
2. Then discard the mixture in the kettle, then fill the kettle with clean water to the maximum position, boiling and then discarding the water. Repeat several times until the odor of vinegar has been flushes away. Any stains remaining inside the spout can be removed by rubbing with a damp cloth.

### **TECHNICAL SPECIFICATION**

Voltage:	220-240V
Frequency	50~60Hz
Rated Power	1850-2200W

### **IMPORTANT INFORMATION FOR CORRECT DISPOSAL OF THE PRODUCT IN ACCORDANCE WITH EC DIRECTIVE 2002/96/EC.**

At the end of its working life, the product must not be disposed of as urban waste.

It must be taken to a special local authority differentiated waste collection center or to a dealer providing this service.

Disposing of a household appliance separately avoids possible negative consequences for the environment and health, deriving from inappropriate disposal and enables the constituent materials to be recovered to obtain significant savings in energy and resources. As a reminder of the need to dispose of household appliances separately, the product is marked with a crossed-out wheeled dustbin.

