

# Rohnson®

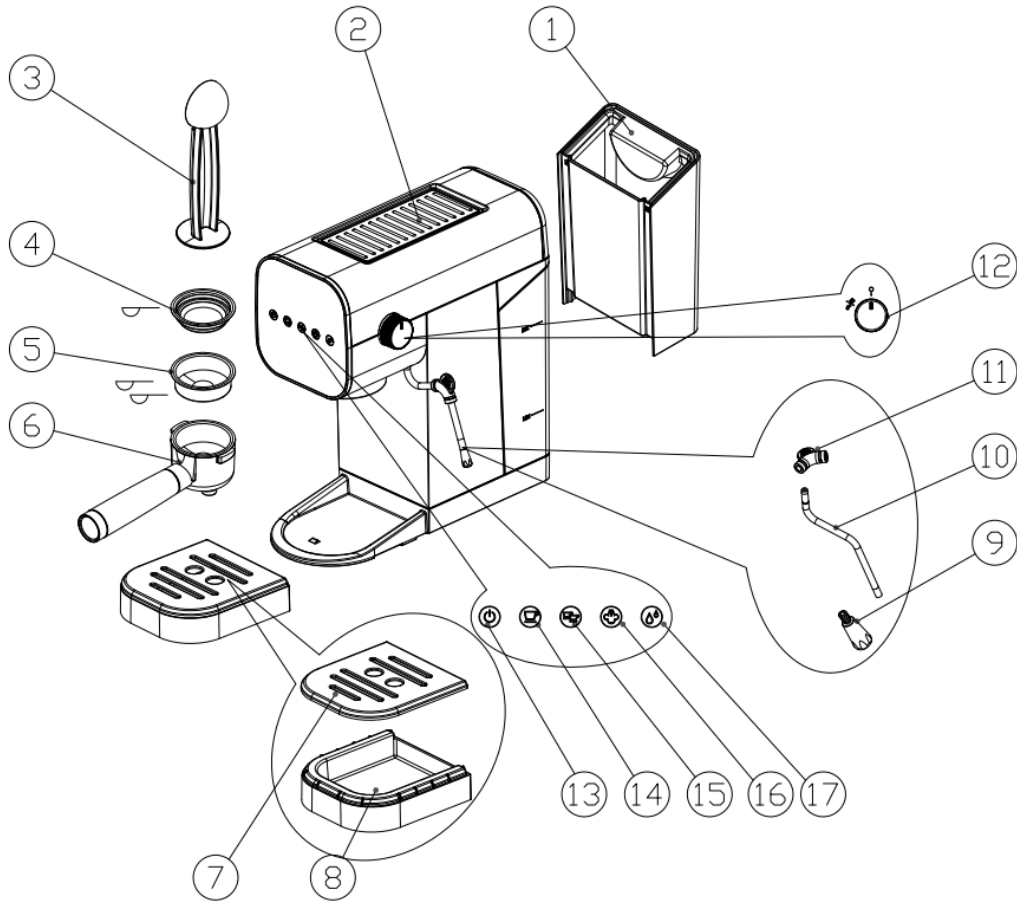
Instructions Manual

## Espresso Maker R-98100



# KNOW YOUR COFFEE MAKER

## DESCRIPTION



1. Water tank
2. Top warming plate
3. Measuring spoon and tamper
4. 1-Cup filter
5. 2-cup filter
6. Portafilter/Portafilter holder
7. Cup plate
8. Drip Tray
9. Steam nozzle
10. Steam wand
11. Rubber sleeve
12. Knob
13. ON/OFF
14. Single shot Espresso
15. Double shot Espresso
16. Steam
17. Hot water

## **IMPORTANT SAFEGUARDS**

When using an electrical appliance, basic safety precautions should always be followed to reduce the risk of fire, electric shock, or injury to people, including the followings:

1. Before using, check that the voltage of wall outlet corresponds to coffee maker rating plate.
2. The appliance must be earthed.
3. Close supervision is necessary when your appliance is being used near children.
4. To prevent electric shock in case of fire, do not put the power cord and plug into water or any other liquid; Do not damage, over bend or stretch the power cord. Do not place heavy objects on the cord.
5. To protect against electric shock, don't put cord, plug, or machine into water or any other liquids.
6. Do not use the equipment in high temperatures, high magnetic field, and damp environment. Do not put the coffee machine on a hot surface, near the fire source or other electrical appliances, such as refrigerator.
7. Please do not turn on the machine when the wire or plug is damaged, the coffee machine is out of order or damaged in any way and return to the nearest authorized service center for inspection and maintenance or contact the supplier.
8. Please use original accessories.
9. This machine is only used for making coffee. Do not use it for other purposes and put it in a dry environment.
10. Place the coffee maker on a flat surface or on a table. Do not hang the power cord on the edge of the table or counter.
11. Don't let cord hang over the edge of the table or of the countertop.
12. When operating the coffee machine, do not directly touch the hot parts on the surface.
13. Regularly clean and maintain the coffee machine parts to ensure the quality of coffee and extend the service life of the coffee machine.
14. Do not move or turn off the power when the coffee machine is working.
15. Do not use it without water.
16. To be safe, please read the instructions carefully and grasp the correct use method.
17. Do not wash the coffee maker or power cord in water or other liquids.
18. Household use only, don't use outdoors.
19. Before using it for the first time, please use it twice with clean water to remove the odor.
20. Save these instructions' booklet for future reference.
21. The coffee maker shall not be placed in a cabinet when in use.
22. Cleaning and user maintenance shall not be done by children without supervision.
23. This appliance can be used by children aged from 8 years and above if they have been given supervision or instruction concerning use of the appliance in a safe

way and if they understand the hazards involved. Cleaning and user maintenance shall not be done by children unless they are older than 8 and supervised. Keep the appliance and its cord out of reach of children aged less than 8 years.

24. Appliances can be used by persons with reduced physical, sensory, or mental capabilities or lack of experience and knowledge if they have been given supervision or instruction concerning use of the appliance in a safe way and understand the hazards involved.
25. Children shall not play with the appliance.
26. Warning: misuse may cause potential injury. The heating element surface is subject to residual heat after use.
27. HOUSEHOLD USE ONLY

## INSTRUCTIONS

 **Important! When you install the appliance, you should respect the following safety warnings:**

- Do not place the appliance near water sources. Water can damage the appliance.
- If the tanked water freezes, the appliance can be damaged. So, the appliance cannot be placed inside a room with freezing cold temperature inside.
- You cannot place the cord in sharp edges or hot surfaces (e.g. electric hot plates) because it can cause damage (e.g. electric hot plates).
- The appliance gets hotter when it's in use. So, it's good to leave a space of at least 3 cm between the surfaces of the appliance and the side and rear walls and at least 15cm above the machine.
- Clean all the removable parts with tap water.

## CONNECTING THE APPLIANCE

 **Danger!**

Check that the voltage of the main power supply corresponds to the noted voltage on the rating plate on the bottom of the appliance. Connect the appliance to an efficiently earthed and correctly installed socket. The power socket must match the plug on the appliance. If the power socket does not match the plug on the appliance, if you want to replace the socket, call an electrician, do not do it on your own.

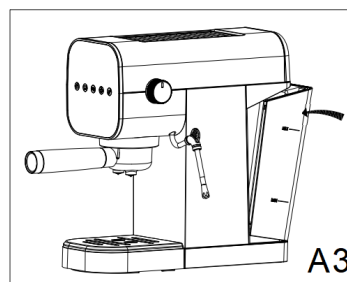
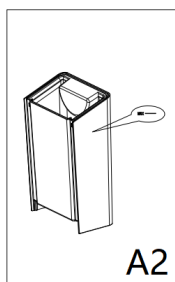
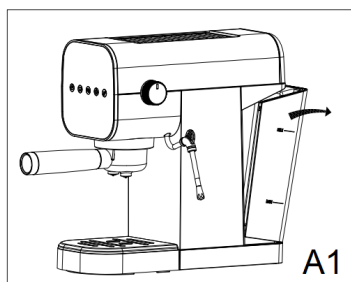
## FILLING THE WATER TANK

 **Please note:**

Before first use, wash all the accessories and water tank with warm water.

1. Extract the tank by pulling it back.

2. Fill the tank with fresh clean water but be careful not to exceed the MAX level.



**i Please note:**

When you fill the water tank with water, you must know that it's good to use a clean sponge to dry it.

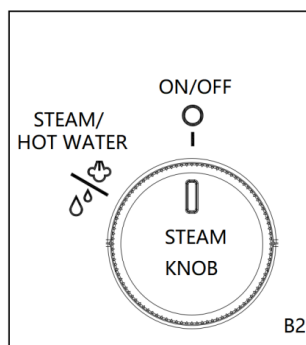
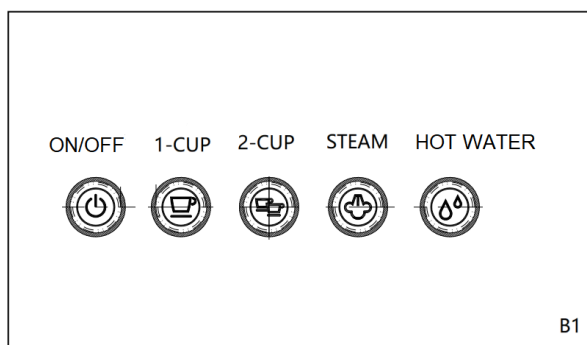
## FIRST USE

If you use it for the first time:

1. Fill the water tank as we mentioned above and attach the portafilter to the machine.
2. When the machine is plugged in, all the machine lights will be flashing and then the machine will be in standby mode.
3. Press the ON/OFF button, the Single-Espresso and Double-Espresso lights will be flashing to indicate the appliance is heating up.
4. Press the STEAM button and turn on the steam knob to release the air remains.
5. This operation has to last for 30 seconds until the steam comes out.
6. When the machine is used for the first time or after a long time, you must follow these steps.

**! Important: The air remains may cause the machine not to work properly!**

- Turn off the STEAM button and press the ON/OFF button to turn off the machine for the next step.
- Attach the filter holder to the appliance.
- Press the ON/OFF button, place a container with a minimum capacity of 500 ml under the boiler outlet and press the 2-CUP button when the lights are steady.
- Repeat this operation 5 times.
- The machine will be automatic power off if without any operation after 30 minutes. You can press the ON/OFF button to start again.



## **HOW TO MAKE ESPRESSO COFFEE**

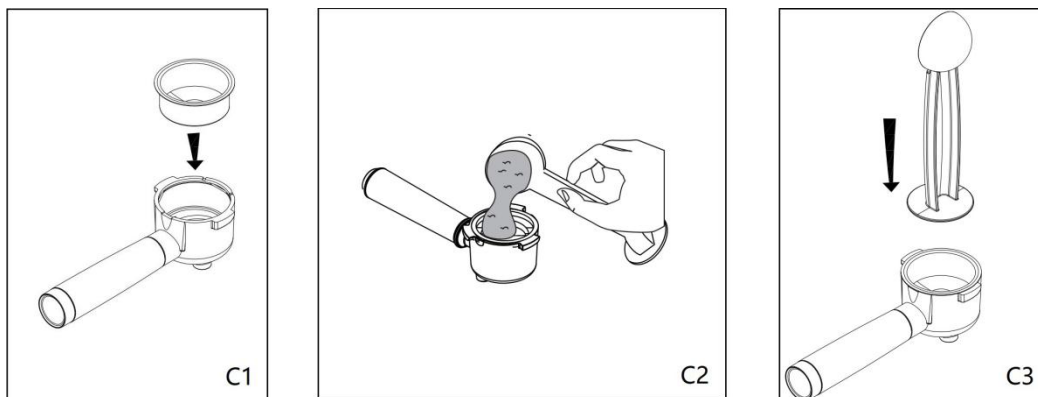
### **How to make a hot coffee**

For making espresso coffee, you should:

- You are recommended to warm the cups before making coffee by rinsing them with a little hot water.
- Attach the filter holder to the appliance with the filter in place but without adding ground coffee. Using the same cup as will later be used to make the coffee, press the one cup button, and deliver hot water into the cup to heat it.
- Rest the cups you will be using on the cup warmer which becomes hot during operation.

### **How to prepare espresso coffee using pre-ground coffee?**

- Place the ground coffee filter in the filter holder.
- Use the filter with the '1-cup' symbol on the bottom, to make single shot espresso. Use the filter with the '2-cup' symbol on the bottom, to make double shot espresso.
- To make just one coffee, place one level measure of pre-ground coffee in the filter. To make two coffees, place two loosely filled measures of pre-ground coffee in the filter. Fill the filter a little at a time to prevent the pre-ground coffee from overflowing.

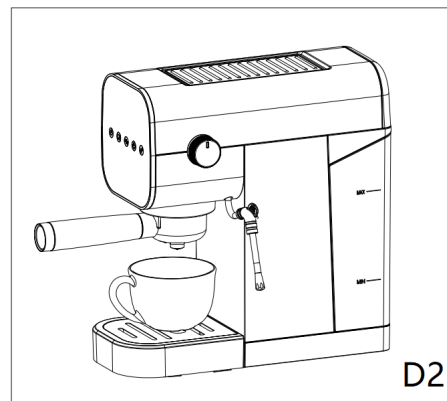
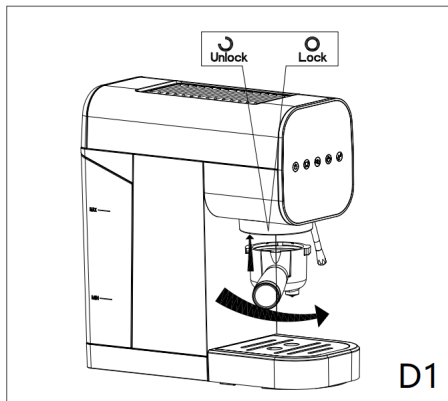


**! Important: For correct operation, before filling with pre-ground coffee, make sure there are no coffee residues left in the filter from the last time you made coffee.**

- Distribute the pre-ground coffee evenly and press lightly with the presser.
- Correct pressing of the pre-ground coffee is essential to obtain a good espresso. If you press too firmly, the coffee will be delivered slowly and will be strong. If you press too lightly, the coffee will be delivered quickly and will be weak.
- Remove any excess coffee from the rim of the filter holder and attach the filter

holder to the appliance. To attach correctly, align the filter holder handle with the UNLOCK symbol, attach the filter holder, and rotate the handle towards the right until aligned with the LOCK symbol.

- Place the cup or cups under the filter holder spouts.
- Make sure the lights corresponding to the coffee buttons are on, then press the 1-CUP or 2-CUP coffee button. The appliance proceeds to make the coffee and delivery is interrupted automatically.
- To remove the filter holder, turn the handle from right (LOCK) to left (UNLOCK).



#### **⚠ Danger of burns!**

To avoid splashes, never remove the filter holder while the appliance is delivering coffee. Always wait for a few seconds after delivery.

### **Programming the quantities of coffee in the cup**

The appliance is set by default to automatically deliver standard quantities. To change these quantities, proceed as follows:

1. Prepare the espresso coffee as described in section 8.2.
2. Place the cup or cups under the filter holder spouts.
3. Press and hold the button if you want to program 1-CUP or 2-CUP. For the first 3 seconds are for activating this function, then coffee maker starts delivering coffee.
4. Once the required quantity of coffee has been delivered into the cup, release the button. Delivery stops and the sound beeps to indicate that the quantity has been saved correctly.
5. When the two coffee lights come on steadily, the appliance is ready for use.

**i Please note: For 1-CUP, the shortest delivery time is 12 seconds, the longest delivery time is 22 seconds. For 2-CUP, the shortest delivery time is 20 seconds, the longest delivery time is 51 seconds. The time is not including the first 3 seconds.**

### **Resetting the quantity of coffee**

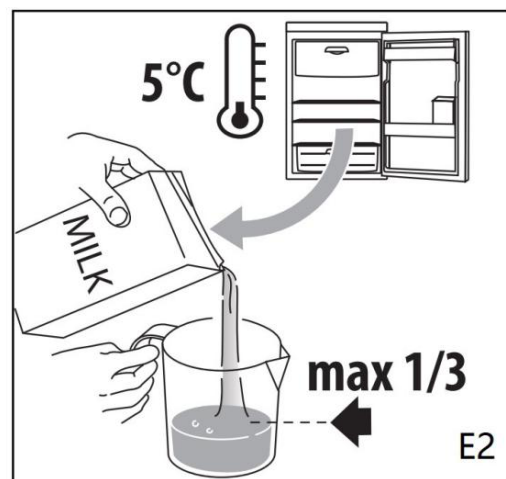
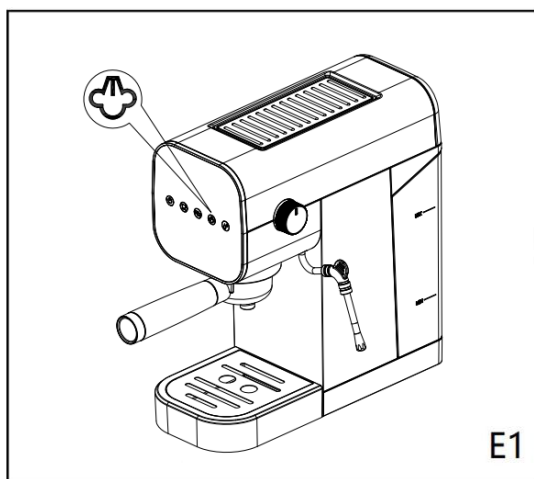
If you want to cancel the quantity of coffee, please proceed as follows:

1. Connect the machine to the power supply, but do not press the ON/OFF button.

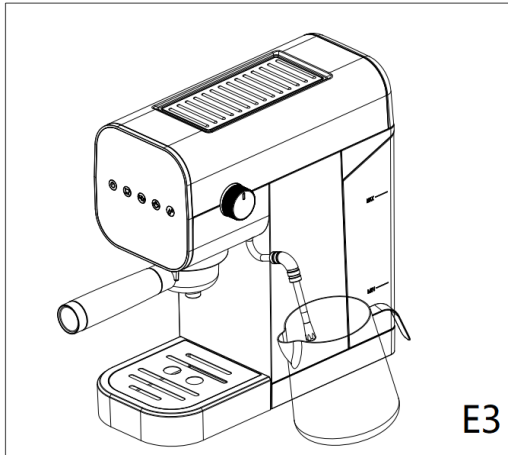
2. Press 1-CUP and 2-CUP simultaneously (do not release) and last for 3 seconds, then the machine beeps a sound, and all of the lights flash 3 times, indicating that the quantity of coffee has been reset.

### **HOW TO MAKE CAPPUCCINO**

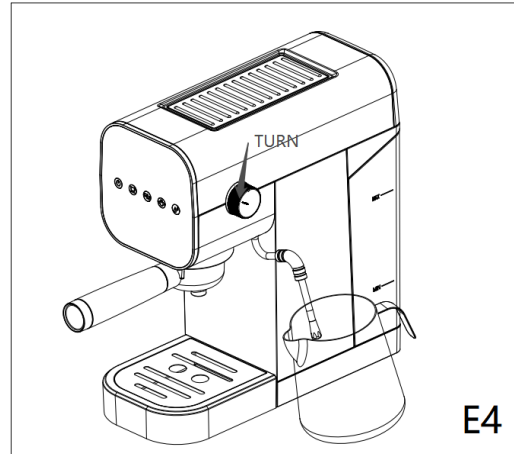
1. Prepare the espresso coffees as described in the previous sections, using sufficiently large cups.
2. Press the STEAM button and its indicator light is on.
3. In the meantime, fill a recipient with about 100 grams of milk for each Cappuccino to be prepared. For a denser and more even froth you must use whole milk at refrigerator temperature (about 5°C). In choosing the size of the recipient, bear in mind that the milk doubles or triples in volume.
4. Put an empty container under the cappuccino maker and open the dial for a few seconds to eliminate any air left in the circuit. Turn the dial to "off" position again.
5. Place the recipient containing the milk under the cappuccino maker.
6. Immerse the cappuccino maker in the milk container. Never immerse the black ring. Turn the dial to the STEAM position. Steam is delivered from the cappuccino maker, giving the milk a creamy frothy appearance. To obtain a creamier froth, immerse the cappuccino maker in the milk and rotate the container with slow upward movements.
7. When the required temperature (the ideal is 60°C) and froth density is reached, interrupt steam delivery by turning the steam dial to OFF position.
8. Pour the frothed milk into the cups containing the prepared espresso coffee and then the cappuccino is ready. Sweeten to taste and if desired, sprinkle the froth with a little cocoa powder.







E3



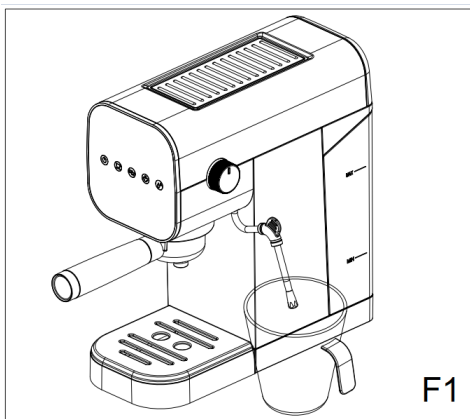
E4

**i Please note:**

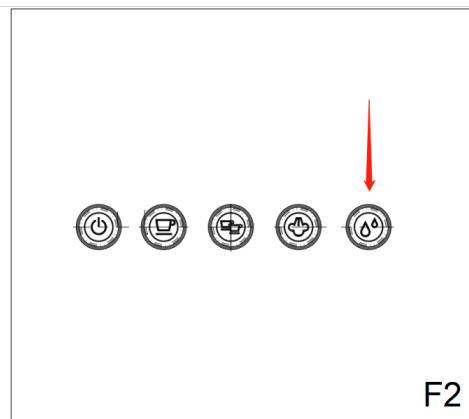
- To prepare more than one cappuccino, first make all the coffees and then prepare the frothed milk for all the cappuccinos.
- If you want to make coffee again immediately after frothing milk, the boiler must be cooled at first or the coffee will be burnt, so we suggest to press 1-Cup or 2-Cup button and release a few high temperature water before make another cup of coffee.
- Be careful with the splashing hot water and steam released from the cappuccino maker pipe.
- When the steam button lights up, you cannot choose the 1-Cup or 2-Cup function, press the steam button again to cancel the steam mode.
- Do not deliver steam for more than 60 seconds.

**HOW TO MAKE HOT WATER**

1. Turn the appliance on by pressing the ON/OFF button.
2. Put a cup under the water outlet (steam wand).
3. Press the “HOT WATER” button and open the steam knob to dispense water.
4. You can stop the water by pressing the “HOT WATER” button.



F1



F2

 **Please note:**

- Note: If using a metal jug, the jug and water will get hot. Huge Risk of scalding and burns.
- When the WATER button lights up, you cannot choose the 1-Cup or 2-Cup function, press the WATER button again to cancel the WATER mode.
- Turn the ON/OFF button to the "OFF" position and unplug the appliance when it's not in use.

## CLEANING


 **Important!**

- Do not use solvents, abrasive detergents, or alcohol to clean the coffee machine.
- Do not use metal objects to remove encrustations or coffee deposits as they could scratch metal or plastic surfaces.
- If the appliance is not used for more than a week, before using it again, we strongly recommend you performing a rinse cycle as described in section "7. first use".

 **Danger!**


- While cleaning, never dive the coffee maker in water. It is an electrical appliance.

## DESCALE

 **Important:** To ensure the pure taste of coffee, please descale the coffee machine after 2-3 months of use.

- Ensure that the descaling product is suitable for coffee machines. Or use the citric acid (100 water:3 citric acid) instead of the descaling product.
- Fill the water tank with the descaling solution.
- Place a large container on the drip tray. Use it like you make coffee and steam until the tank is empty.
- Rinse the water tank and fill it with water.
- Use it like you make coffee and flush it through the machine with water. This will remove any traces of the descaling solution.
- Store the cleaned coffee machine unplugged with no coffee in the filter and with the water tank empty.

### Cleaning the drip tray

 **Important!** Please pay attention to the amount of water in the drip tray. The drip tray must be emptied and cleaned before water overflows. Otherwise, the water may overflow the edge and damage the appliance, the surface it rests on or the surrounding area. We suggest cleaning it every time after use. When you want to clean the drip tray, please follow these instructions:

- Remove the drip tray and cup tray.
- Separate the cup tray and drip tray, clean them with a soft damp cloth, then reassemble them.

- Wipe the machine to dry and put it back.

### **Cleaning the coffee filters**

Clean the coffee filters regularly:

- Rinse the filters under running water.
- Make sure the holes are not blocked. If necessary, clean with a pin.

### **Other cleaning operations**

- Do not use solvents or abrasive detergents to clean the coffee maker. Use a soft damp cloth only.
- Clean the filter holder cup.

### **Cleaning the water tank**

Clean the water tank regularly (about once a month) with a damp cloth and a little mild washing up liquid.

### **Cleaning the cappuccino maker**

#### **⚠️Important:**

For hygiene reasons, the cappuccino maker should always be cleaned after use. Proceed as follow:

**Turn the steam dial to deliver a little steam for a few seconds. This causes the cappuccino maker to discharge any milk left inside.**

1. Press the ON/OFF button to turn the appliance off.
2. Ensure that the Froth Nozzle is cool before cleaning. Pull the Froth Nozzle off the Steam Wand and wash under running water to remove any milk remains. **Risk of burns.**

#### **⚠️Danger!**

While cleaning, never immerse the coffee maker in water.

**It is an electrical appliance.**

## **TROUBLESHOOTING**

<b>Problem</b>	<b>Cause</b>	<b>Solution</b>
No espresso coffee is delivered.	Air remains inside.	Open the steam knob after heating up as described in section "FIRST USE".
	No water in the tank.	Fill the tank.
	The holes in the filter holder are blocked.	Clean the filter holder spout holes.
	The filter is blocked.	Clean as described in section "Cleaning the coffee filters".
	The tank has been inserted incorrectly and the valves on the bottom are not open.	Press the tank down lightly to open the valves on the bottom.
	Limescale in the water circuit	Descale as described in section "Descale".
The espresso coffee drips from the edges of the filter holder rather than the holes.	The filter holder has been inserted incorrectly or is dirty.	Attach the filter holder correctly and rotate firmly as far as it will go.
	The holes in the filter holder spouts are blocked.	Clean the filter holder spout holes.
	The filter is blocked.	Clean as described in section "Cleaning the coffee filters".
The filter holder cannot be attached to the appliance.	Too much coffee has been placed in the filter.	Use the measure supplied and make sure you are using the correct filter for the type of preparation.
The appliance will not make any coffee and the function button lights flashes for a few seconds.	No water in the tank.	Fill the tank with water.
	The tank has been inserted incorrectly and the valves on the bottom are not open.	Press the tank down lightly to open the valves on the bottom.
	The filter is blocked.	Clean as described in section "Cleaning the coffee filters".
	Limescale in the water circuit.	Descale as described in section "Descale".
The coffee froth is too light (delivered from the spout too fast).	The pre-ground coffee is not pressed down firmly enough.	Press the pre-ground coffee more firmly.
	There is not enough pre-ground coffee.	Increase the quantity of pre-ground coffee.
	The pre-ground coffee is too coarse.	Use only pre-ground coffee for espresso coffee makers.

	The wrong type of pre-ground coffee is being used.	Change the type of pre-ground coffee.
--	--	---------------------------------------

The coffee froth is too dark (delivered from the spout too slowly).	The pre-ground coffee is pressed down too firmly.	Press the coffee down less firmly.
	There is not enough pre-ground coffee.	Reduce the quantity of pre-ground coffee.
	The filter is blocked.	Clean as described in section "Cleaning the coffee filters".
	The pre-ground coffee is too fine.	Use only pre-ground coffee for espresso coffee makers.
	The pre-ground coffee is too fine or damp.	Use pre-ground coffee for espresso coffee makers only and make sure it is not too damp.
	Limescale in the water circuit.	Descale as described in section "Descale".
No milk froth is formed when making cappuccino.	Milk not cold enough.	Always use milk at refrigerator temperature (5°C).
	Cappuccino maker dirty.	Clean as described in section "Cleaning the cappuccino maker after using"
	Limescale in the water circuit	Descale as described in section "Descale".
The appliance does not function and all function button lights flash.		Disconnect the appliance immediately and contact Customer Services.



**IMPORTANT INFORMATION FOR CORRECT DISPOSAL OF THE PRODUCT IN ACCORDANCE WITH EC DIRECTIVE 2012/19/EU.**

At the end of its working life, the product must not be disposed of as urban waste. It must be taken to a special local authority differentiated waste collection center or to a dealer providing this service. Disposing of a household appliance separately avoids possible negative consequences for the environment and health, deriving from inappropriate disposal and enables the constituent materials to be recovered to obtain significant savings in energy and resources. As a reminder of the need to dispose of household appliances separately, the product is marked with a crossed-out wheeled dustbin.