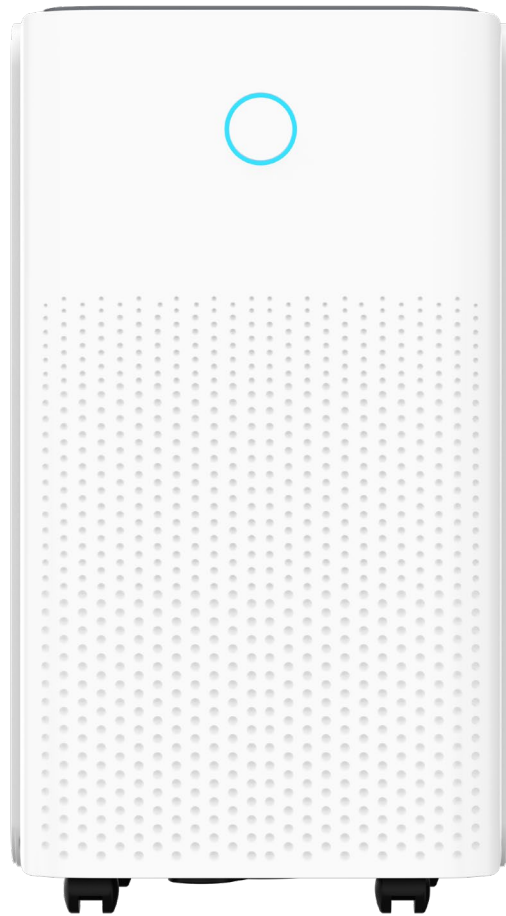


Rohinson[®]

INSTRUCTION MANUAL

Dehumidifier R-91610/R-91612



R290



Please keep this manual carefully for further reference!

Thank you for selecting our dehumidifier. Be sure to read this manual carefully before using it. Any questions, please contact the professional service for help.

INTRODUCTION

- Before using your new dehumidifier, please carefully read through the following instructions. Keep this booklet in a safe place for future reference.
- After removing the packaging, make sure that the appliance is in good condition.
- Do not allow children to play with the packaging materials as there is risk of suffocation.

SAFETY INFORMATION

Please read the operating instructions carefully before using your dehumidifier for the first time and keep them in a safe place.

1. Never immerse the appliance in water or other liquids.
2. Place the unit on a stable flat surface to avoid loud noises and vibrations.
3. Never operate the appliance if a cable or connector has been damaged, after appliance malfunction or if the appliance was dropped or otherwise damaged.
4. The appliance may only be repaired by qualified personnel, improper repair work can be a source of considerable danger for the users.
5. Pull out the power plug before transporting it and/or before cleaning.
6. Operate the appliance only at the voltage specified on the rating label.
7. The device may not be connected to a power strip with other household appliances.
8. Use the appliance only in the household and only for the purpose it was developed for.
9. Do not operate this unit near heating appliances and flammable or dangerous objects.
10. If the dehumidifier is operated in a room with gas driven devices, the room must be aired regularly and often.
11. Please use the function of the internal drying if the device is not used for a long time. This will prevent formation of mildew and unpleasant smell inside the unit.
12. Do not place heavy objects on the appliance.
13. Do not hang curtains or wet clothes in front of the air outlet, this will overload the device.
14. The drainage hose may not be installed outdoors at low temperatures.
15. To prevent spillage, empty the water tank before relocating the appliance.
16. Do not tip the appliance to any side as escaping water could damage the appliance.
17. If the supply cord is damaged, it must be replaced by a qualified person to avoid a hazard.
18. If you smell the smoke during start-up or if you can see the smoke, immediately disconnect the power plug, and contact your dealer.
19. The unit should be installed with a minimum distance of 50 cm from the wall or other obstacles.

WARNING

Do not use means to accelerate the defrosting process or to clean, other than those recommended by the manufacturer. The appliance shall be stored in a room without continuously operating ignition sources (for example: open flames, an operating gas appliance or an operating electric heater. Do not pierce or burn. Be aware that refrigerants may not contain an odor. The maximum refrigerant charge amount: 45g/50g. When the machine malfunctions, do not repair it yourself. Please contact a professional organization or a professional trained maintenance personnel or a service organization recommended by the supplier for repair!



This appliance can be used by children aged from 8 years and above and persons with reduced physical, sensory, and mental capabilities or lack of experience and knowledge if they have been given supervision or instruction concerning use of the appliance in a safe way and understand the hazards involved. Cleaning and maintenance shall not be made by children without supervision.

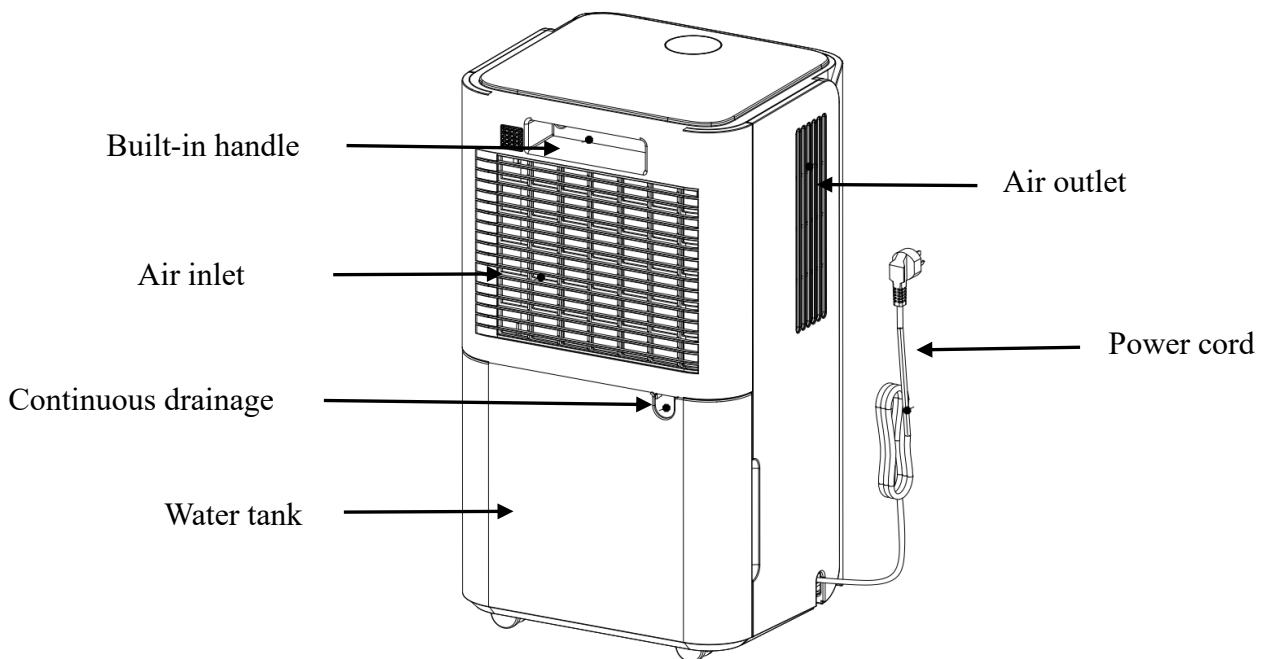
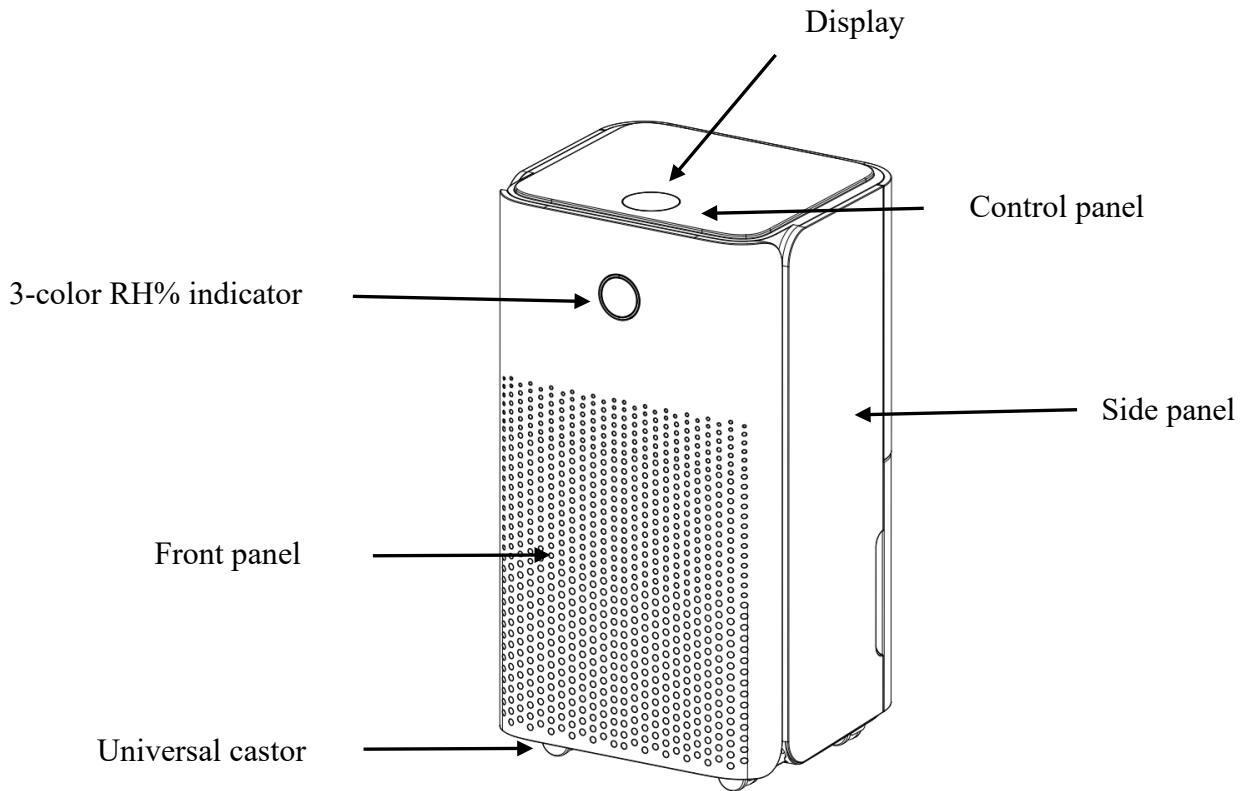
SERVICE & REPAIR

1. For service or repair under warranty, please contact the authorized service company that is mentioned on the guaranteed card that accompanies the product.
2. Do not operate any product with a damaged cord or plug. Do not attempt to dismantle any part of the appliance. This should only be done at an authorized service center.
3. The partial or total non-respect of the safety instructions in the present instruction manual will automatically release of any type of responsibility in case of malfunction of the machine or injuries to persons or animals.

In case of manipulation, repairing or any modification of the machine made by unqualified persons or in case of improper use, the guarantee will be automatically cancelled.

PRODUCT OVERVIEW

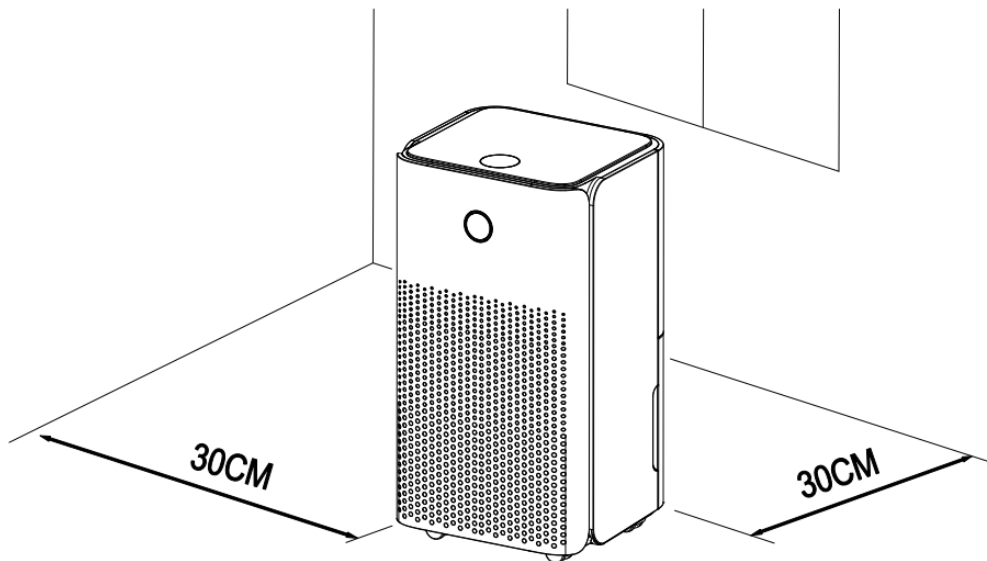
3.1 PRODUCT VIEW



INSTALLATION

4.1 LOCATION

1. Place the unit on a firm, level surface in an area with at least 30cm of free space around it to allow for proper air circulation.
2. Never install the unit where it could be subject to
 - Heat sources such as radiators, heat registers, stoves, or other products that produce heat.
 - In an area where oil or water may be splashed
 - Direct sunlight
 - Mechanical vibration or shock
 - Excessive dust
 - Lack of ventilation, such as cabinet or bookcase
 - Uneven surface



WARNING

Install the unit in rooms which exceed 4 m².

Do not install the unit in a place where inflammable gas may leak.



NOTE

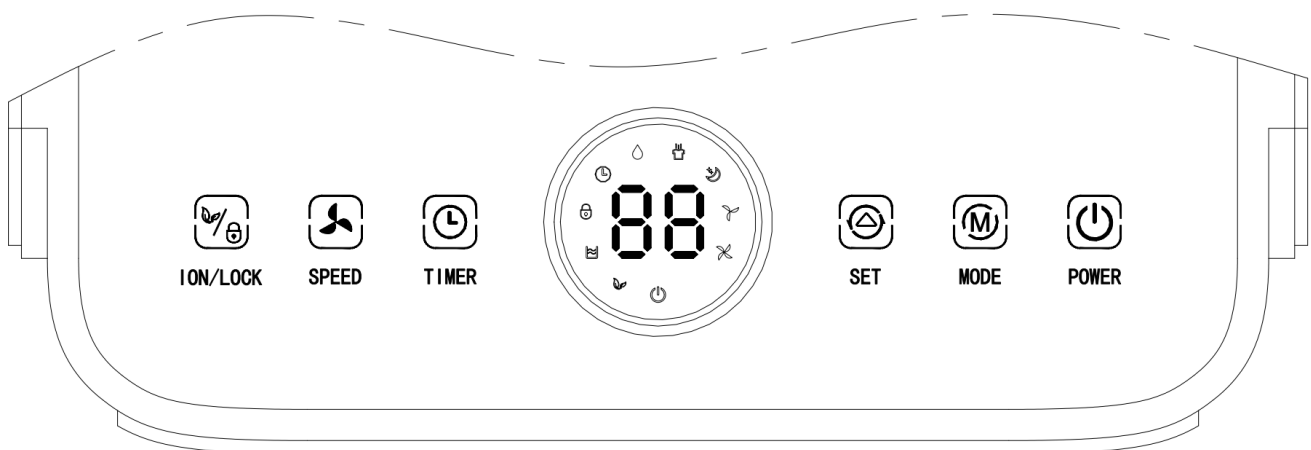
The manufacture may provide other suitable example or may provide additional information about the refrigerant odor.

OPERATING THE DEVICE SAFELY

- Check the device after unpacking for any damages or scratches on it.
- Operate this unit in an ambient temperature from 5°C to 35°C.
- Do not use in the outdoors. This dehumidifier is intended for indoor residential applications only.
- Do not operate in close proximity to walls, curtains, or other objects that may block inlet and outlet.
- Keep the air inlet and outlet free of obstacles.
- Adjusting the wind deflector in the upward direction prior to start up.
- If tipped more than 45°, allow the unit to set upright for at least 24 hours before start up.
- Keep doors and windows close for better energy saving.
- Do not operate or store the unit in direct sunlight or rain.
- It is normal for air outlet to feel warm to touch after continuous operation on hot days.
- Empty the water tank before moving the device.
- Make sure the water tank is correctly fitted otherwise the unit will not operate properly.
- The dehumidifier starts up in the mode selected when the unit was last used.
- The dehumidifier starts dehumidifying if the room humidity is 3% higher than the selected humidity.
- There is a protective 3-minutes time delay of the compressor. Wait 3 minutes for the dehumidifier to resume dehumidification.


OPERATION

CONTROL PANEL





Power button


In the standby state, touch this button to turn on, the operation indicator  lights up and the default fan speed is high, and the default humidity is 50%. In the power-on state, touch this button to turn off, the running indicator light goes off and the compressor stops immediately, and then the fan shut down after 30 seconds delay.



Mode button


Press the mode button to switch between Auto and Continuously dehumidify mode.

Auto mode - continuously dehumidify mode cycle, press once to switch the mode from one to another, the corresponding indicator will light up.


Automatic mode: in this mode the indicator  lights up, when environmental humidity \geq set humidity +3%, the fan starts working and compressor starts working after 3 seconds.



When environmental humidity \leq set humidity -3%, the compressor stops working and fan stops working after 30 seconds' delay.



Touch SET button  to adjust the humidity level from 30% to 80% in automatic mode.

Both fan speed and humidity can be adjusted under auto mode. Normal humidity levels are 40-50%.

Drying mode: in this mode the indicator  lights up, the compressor keeps working without control by humidity; fan speed can be adjusted, but target humidity level cannot.


Sleep Mode: hold MODE button  for 3 seconds to enter sleep mode, the indicator  lights up, the default humidity is 60%. After no operation in 10 seconds, all indicators turn dark gradually and the fan speed is automatically switched low fan speed, press any button to wake up the indicator. Touch mode button again to exit the sleep mode.

Both fan speed and humidity can be adjusted under sleep mode.



Timer button

Touch the timer button to set the 00–24-hour timing function. Display panel

“88” flashes and will show timer hour, touch SET button  once, the value increases 1 hour, the value displayed on the “88” display screen.

In the running state, use the timer function to turn off the machine regularly.

In the standby state, use the timer function to turn on the machine regularly.

Set the time to "00" to cancel the timing function.



Speed/Air Purifier



High wind - low wind cycle, Touch the button once to switch and then the corresponding indicator lights up. The wind speed cannot be changed, during defrosting period.

In standby mode, hold this button to turn on or turn off the independent air purifier function. The fan keeps working when that function is turned on, but the compressor doesn't work.



ION/Child lock

Touch this button to turn on or off the ionizer function, in both independent air purifier mode and dehumidifying mode the ionizer function can be turned on or turned off freely.

The indicator  lights up when the ionizer function turns on. Hold the child lock button to turn on or off the child lock function, the indicator  lights up when it is turned on.

3 Color Digital Display (on top) :



Ambient Humidity ≤ 45%, The light shows Blue

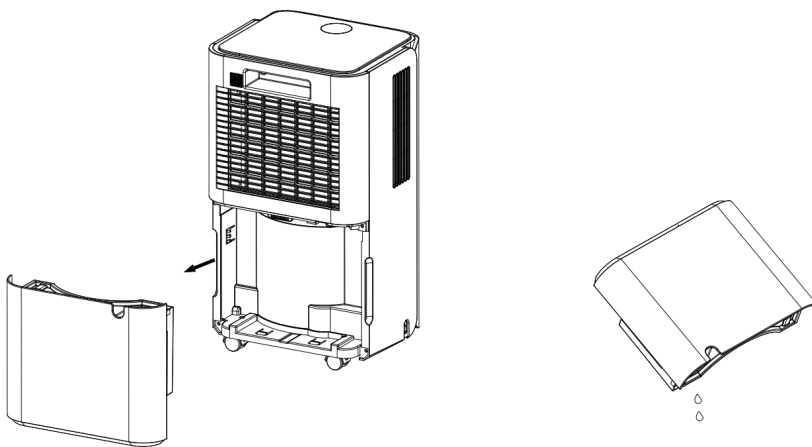
45 < Ambient Humidity < 65% , The light shows Green

Ambient Humidity ≥ 65% , The light shows Red

DRAINAGE:

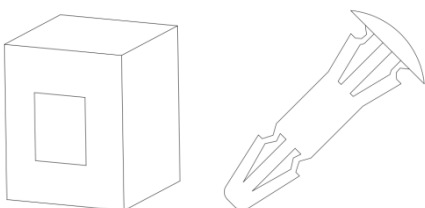
EMPTYING THE WATER TANK

- When the tank is full, the unit will make a buzzing sound, and the “Water Full”  light will turn on.
- Press the POWER button to turn off the unit.
- Pull on the water tank and simply slide out of the body of the dehumidifier.
- Empty the water into an area with a drain or outside.
- Clean the inside of the tank as well as the outside.
- Replace the empty tank back into the unit.
- Press the POWER button to resume operating.
- If the Water Full  light does not extinguish, check that the float is correctly in place.



Warning

1. Do not discard water tank magnets and plastic rivets. Otherwise, the machine will not automatically stop working when the water tank is full, and the condensed water will overflow and damage the floor of the room.

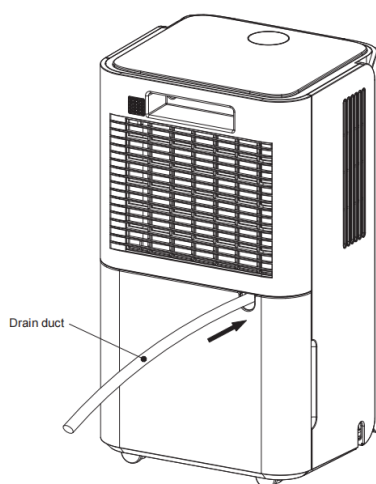


2. Please be sure to clean the condensed water in the water tank before resetting the working mode of the machine.
3. If the water tank is dirty, rinse it with clean water. Avoid using detergents, steel balls, chemical dust removers, diesel oil, benzene, diluents, or other solvents. Otherwise, the water tank will be damaged and leak.
4. Replace the empty tank back into the unit. Otherwise, the water full indicator may remain red and the machine cannot restart.

CONTINUOUS DRAINING

For continuous operation or unattended dehumidification, please connect the attached drain hose to the unit. Condensate water can be automatically flow into a bucket or drain by gravity.

1. Straighten the drainage pipe
2. Insert one end of the drain into the drain into the cistern hole and connect the other end to the bathroom, outdoor or bucket like container, or the prescribed drainage area.



Warning

1. Please do not block the drain or drainpipe, if the phenomenon of blocking, condensed water will flow into the water tank.
2. Please do not bend the drainpipe. The height of the drainpipe should be lower than the outlet.
3. The drainpipe shall be securely connected to the outlet.

MAINTENANCE

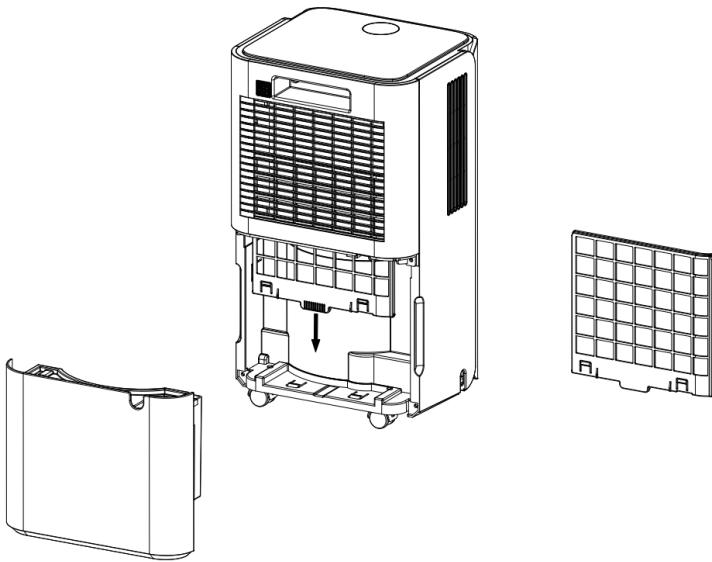
Note: before cleaning and maintaining the machine, be sure to turn off the machine and pull the power plug to prevent electric shock.

- **CLEANING THE AIR FILTER** (every two weeks)

Dust collects on the filter and restricts the airflow. The restricted airflow reduces the efficiency of the system and if it becomes blocked it can cause damage to the unit.

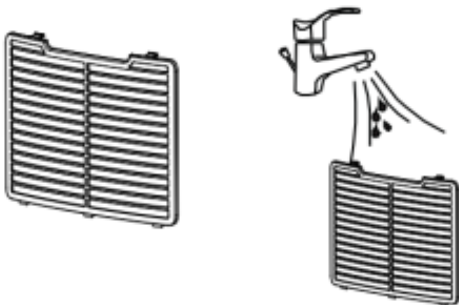
The air filter requires regular cleaning. The air filter is removable for easy cleaning. Do not operate the unit without an air filter, or the evaporator may be contaminated.

1. Take the water tank from the body, and then pull out the filter from the bottom of the rear shell.

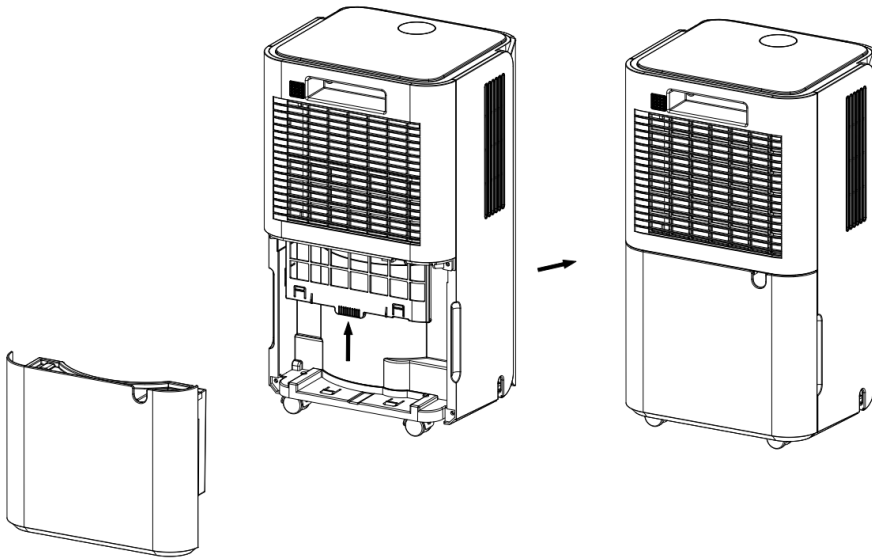


2. Use a vacuum cleaner to gently absorb the dust on the surface.

If the filter is very dirty, wash it with water and a soft detergent and dry it thoroughly afterwards.



3. Put the filter back.



TROUBLE SHOOTING

1. FUNCTIONING TEMP.

$5^{\circ}\text{C} \leq \text{Ambient Temp.} \leq 35^{\circ}\text{C}$

When the ambient temp is lower or higher than the functioning temp, the dehumidifier stops.

When $5^{\circ}\text{C} \leq \text{Ambient temp.} \leq 16^{\circ}\text{C}$, the compressor automatically defrosts at intervals; during defrosting, the compressor stops, and the fan keeps running.

2. BEFORE CALLING FOR SERVICE

Before contacting professional service, please review the trouble shooting list that includes common occurrences that are not the result of a defect in workmanship or materials.

Problem	Possible Cause	Solution
Not working	No power supply	Connect to a functioning outlet and switch on
	Water Full Indication Flashes	Drain water tank and reset it, or re-position the water tank to right place
	Room temperature $< 5^{\circ}\text{C}$, or $> 35^{\circ}\text{C}$	Self-Protection designed to protect the unit. Can not work under such temperature
Bad functioning	Is the air filter clogged?	Clean the air filter as instructed
	Is the intake duct or discharge duct obstructed?	Remove the obstruction from the discharge duct or intake duct.
No air intake	Is the filter clogged?	Wash the filter

Loud noise when running	Is the machine put in the plat place?	Put the machine on the plat ground
	Is the filter clogged?	Wash the filter
E1	Humidity sensor problem	Change a sensor
LO	Environmental humidity is below 20%	The dehumidifier shuts down for self-protection
CL	Low temperature protection, the environmental temperature 5°C	
CH	High temperature protection, the environmental temperature 38°C	

DECOMMISSIONING

STORAGE

Long-term storage - If you will not be using the unit for an extended period of time (more than a few weeks) it is best to clean the unit and dry it out completely. Please store the unit per the following steps:

1. Press power button to switch off and unplug the unit.
2. Drain the remaining water from the unit.
3. Clean the filter and let the filter dry completely in a shaded area.
4. Collect the power cord at the water tank.
5. Re-install the filter at its position.
6. The unit must be kept in upright position when in storage.
7. Preserving the machine in ventilating, dry, non- corrosive gas and safe place indoor.

ATTENTION:

The evaporator inside the machine must be dried out before the unit is packed to avoid component damage and molds. Unplug the unit and place it in a dry open area for days to dry it out. Another way to dry the unit is to set the humidity point more than 5% higher than the ambient humidity to force the fan to dry the evaporator for a couple of hours.



IMPORTANT INFORMATION FOR CORRECT DISPOSAL OF THE PRODUCT IN ACCORDANCE WITH EC DIRECTIVE 2002/96/EC.

At the end of its working life, the product must not be disposed of as urban waste.

It must be taken to a special local authority differentiated waste collection center or to a dealer providing this service.

Disposing of a household appliance separately avoids possible negative consequences for the environment and health, deriving from inappropriate disposal and enables the constituent materials to be recovered to obtain significant savings in energy and resources. As a reminder of the need to dispose of household appliances separately, the product is marked with a crossed-out wheeled dustbin.