

Rohinson[®]

Instructions Manual

Panini Maker R-2114



**For your safety and continued enjoyment of this product
always read the instruction book carefully before using it.**

IMPORTANT SAFEGUARDS

• READ ALL INSTRUCTIONS

- Use only on AC 220~240 Volt. Use only for the household.
- Do not touch hot surfaces. Use handle.
- To protect against the risk of electric shock, do not immerse the cord, plug, or cooking unit in water or any other liquid.
- Close supervision is necessary when any appliance is used by or near children.
- Unplug from the outlet when not in use and before cleaning. Allow to cool before putting on or taking off parts, and before cleaning the appliance.
- Do not operate any appliance with a damaged has malfunctioned or has been damaged in any manner. To avoid the risk of an electric shock, never try to repair it yourself. Take it to an authorized service station for examination and repair. Incorrect reassembly could present a risk of electric shock when the Grill Toaster is used.
- The use of accessory attachments not recommended by the manufacturer may result in fire, electrical shock, or risk of injury.
- Do not use outdoors or for commercial purposes.
- Do not let the power cord hang over the edge of the table or counter, or touch hot surfaces.
- Do not place on or near a hot gas or electric burner or heated oven.
- Unplug the unit when finished using it.
- Do not use appliances for other than intended use.
- Do not intend to operate by means of an external timer or separate remote-control system.
- Extreme caution must be exercised when moving an appliance containing hot oil or other hot liquids.
- This appliance can be used by children aged 8 years and above and persons with reduced physical, sensory, or mental capabilities or lack of experience and knowledge if they have been given supervision or instruction concerning the use of the appliance in a safe way and understand the hazards involved. Children shall not play with the appliance. Cleaning and user maintenance shall not be made by children unless they are older than 8 and supervised.
- Keep the appliance and its cord out of reach of children less than 8 years.

- The temperature of accessible surfaces may be high when the appliance is operating.
- The appliances are not intended to be operated by means of an external timer or separate remote-control system.
- CAUTION: hot surface.

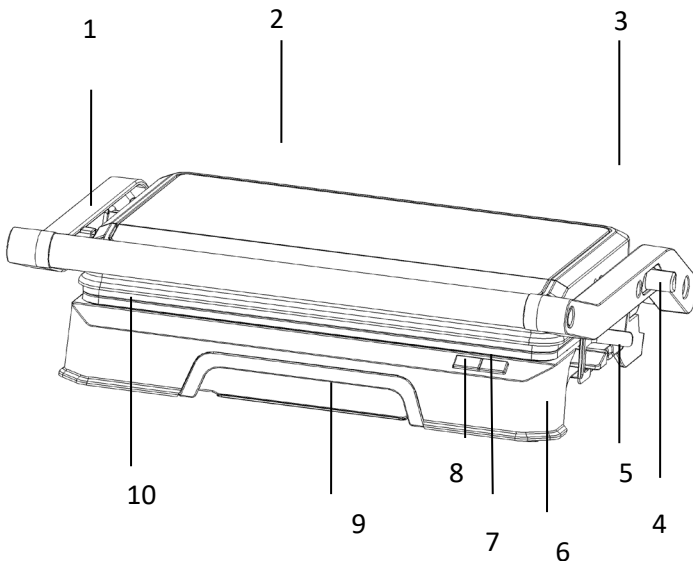
If the supply cord is damaged, it must be replaced by the manufacturer, its service agent or similarly qualified persons in order to avoid a hazard.

WARNING: TO REDUCE THE RISK OF FIRE OR ELECTRIC SHOCK, ONLY AUTHORIZED PERSONNEL SHOULD DO REPAIRS.

**SAVE THESE INSTRUCTIONS
FOR HOUSEHOLD USE ONLY
GROUNDED PLUG**

To reduce the risk of electric shock this appliance has a grounded plug. If the plug does not fit fully into the electrical outlet contact a qualified electrician. Do not modify the plug in any way or use an adaptor.

IDENTIFICATION OF PART



1. Handle
2. Decorative plates
3. Upper Housing
4. 180° Dial button
5. Lock or Lift lever Button
6. Bottom Housing
7. Ready Light
8. Power Light
9. Oil receiving box
10. Grill Non-stick Plate

BEFORE FIRST USE

- Read all instructions carefully and keep them for future reference.
- Remove all packaging
- Clean the Cooking Plates by wiping a sponge or cloth dampened in warm water.

DO NOT IMMERSE THE UNIT AND DO NOT RUN WATER DIRECTLY ON THE COOKING SURFACES.

Dry with a cloth or paper towel

- For best results, lightly coat the cooking plates with a little cooking oil or cooking spray.

Notice: When the device is heated for the first time, it may emit slight smoke or odor. This is normal with many heating appliances. This does not affect the safety of your appliance.

HOW TO USE

Before using the appliance for the first time, peel off any promotional materials and packaging and check that the cooking plates are clean and free of dust. If necessary, wipe over with a damp cloth. For best results, pour a teaspoon of vegetable oil onto the non-stick plates. Spread over with an absorbent kitchen towel and wipe off any excess oil.

PREPARING YOUR DEVICE

- Close it and plug it into the wall outlet, you will find the red power light, indicating that the Power has begun. Green ready lights on indicating that the preheating has begun preheating
- It will preheat for approximately 3~5 minutes to reach baking temperature, the green ready light will out, and then device is ready for use.

COOKING

To Use as a Contact Grill

- Prepare the burgers, boneless pieces of meat, and thin cuts of meat or other foods as directed and place it onto the bottom cooking plate.

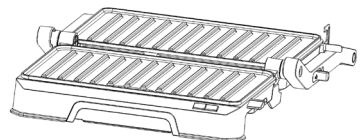
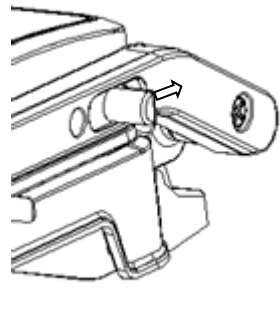
- Close the top cooking plate which has a floating hinge that is designed to evenly press down on the food. The top plate must be fully lowered to achieve Grill marks on the selected foods.
- When the food is cooked use the handle to open the lid. Remove the food with the help of a plastic spatula. Never use metal tongs or a knife as these can cause damage to the non-stick coating of the cook plates.
- Use the panini maker as a contact grill to cook burgers, boneless pieces of meat, and thin cuts of meat and vegetables.
- Use it as a contact-grill, when you want to cook something in a short amount of time or when you are looking for a healthy method of grilling. When cooked on the contact grill, food will be cooked quickly because both sides of the food are grilled the same time. The ribs on the grill plates combined with the grease spout at the corner of the plate allow the grease to drip from the meat and drain off the plates.
- When cooking more than one food item in the contact grill, it is important that the thickness of food items is consistent so the cover will close evenly on the food.

To Use as an Open grill

- Place on a clean flat surface where you intend to cook, positioned in a flat position.
- The upper and lower plates line up to create one large cooking surface. Locate the hinge release lever on the right arm.

180°Dial button

- With you left hand on the handle, use your right hand to slide the lever toward you. Push the handle back until the cover rests flat on the counter. The unit will stay in this position until you lift the handle and cover to return it to the closed position.
- Use it as an open grill to cook burgers, steak, poultry (we do not recommend cooking bone-in chicken, since it does not cook evenly on an open grill), fish, and vegetables.
- Cooking on the open grill is the most versatile method of use. In the open position, you have the double surface area.
- You have the option of cooking different types of foods separately without combining their flavors or cooking large amounts of the same type of food. The open position also accommodates different cuts of meat with varying



180 open Griddle plate

thicknesses, allowing you to cook each piece to your liking.

CLEANING AND CARE

- Always unplug and allow it to cool before cleaning. The unit is easier to clean when slightly warm. There is no need to disassemble Grill Toaster for cleaning. Never immerse in water or place in dishwasher.
 - Wipe cooking plates with a soft to remove food residue. For baked-on food residue squeeze some warm water mixed with detergent over the food residue then clean with a nonabrasive plastic scouring pad or place wet kitchen paper over the grill to moisten the food residue.
 - Do not use anything abrasive that can scratch or damage the non-stick coating.
 - Do not use metal utensils to remove your foods, they can damage the non-stick surface.
 - Wipe the outside of the grill toaster with a damp cloth only. Do not clean the outside with any abrasive scouring pad or steel wool, as this will damage the finish. Do not immerse in water or any other liquid.
 - Do not place in the dishwasher.
 - Remove and empty the drip tray after each use and wash the tray in warm, soapy water. Avoid the use of scouring pads or harsh detergents as they may damage the surface.
- Rinse and dry thoroughly with a clean, soft cloth and replace.

STORAGE

- Always unplug and make sure the is cool and dry before storage.

TECHNICAL DATA

220V-240V, 50/60Hz, 850W

Caution:  **the surfaces are liable to get hot during use**

IMPORTANT INFORMATION FOR CORRECT DISPOSAL OF THE PRODUCT IN ACCORDANCE WITH EC DIRECTIVE 2002/96/EC.

At the end of its working life, the product must not be disposed of as urban waste.

It must be taken to a special local authority differentiated waste collection centre or to a dealer providing this service.

Disposing of a household appliance separately avoids possible negative consequences for the environment and health, deriving from inappropriate disposal and enables the constituent materials to be recovered to obtain significant savings in energy and resources. As a reminder of the need to dispose of household appliances separately, the product is marked with a crossed-out wheeled dustbin.

