

*Rohinson*<sup>®</sup>

Instructions Manual

**Sandwich maker R-2684**



**For your safety and continued enjoyment of this product  
always read the instruction book carefully before using**

This appliance can be used by children aged 8 years and above and persons with reduced physical, sensory or mental capabilities or lack of experience and knowledge if they have been given supervision or instruction concerning the use of the appliance in a safe way and understand the hazards involved. Children shall not play with the appliance. Cleaning and user maintenance shall not be made by children unless they are older than 8 and supervised. Keep the appliance and its cord out of reach of children less than 8 years.

## **IMPORTANT SAFEGUARDS**

When using electrical appliances, basic safety precautions should always be followed, including the following:

### **READ ALL INSTRUCTIONS**

1. Use only for the household.
2. Do not touch hot surfaces. Use handles and knob.
3. To protect against the risk of electric shock, do not immerse the cord, plug, or cooking unit in water or any other liquid.
4. Close supervision is necessary when any appliance is used by or near children.
5. The appliance is not intended for use by young children or infirm persons without supervision.
6. Young children should be supervised to ensure that they do not play with the appliance.
7. Unplug from outlet when not in use and before cleaning. Allow cooling before putting on or taking off parts, and before cleaning the appliance.
8. Do not operate any appliance with a damaged has malfunctioned or has been damaged in any manner. In order to avoid the risk of an electric shock, never try to repair the Sandwich maker yourself. Take it to an authorized service station for examination and repair or electrical or mechanical adjustment. Incorrect reassembly could present a risk of electric shock when the Sandwich maker is used.
9. The use of accessory attachments not recommended by the manufacturer may cause hazards.
10. Do not use outdoors or for commercial purposes.

11. Do not let the power cord hang over the edge of the table or counter, or touch hot surfaces.
12. Do not place on or near a hot gas or electric burner or heated oven.
13. Extreme caution must be used when moving an appliance containing hot oil or other hot substances.
14. To disconnect, remove the plug from the wall outlet.
15. Do not use the appliance other than for its intended use.
16. If the external flexible cable or cord of this appliance is damaged, it shall be exclusively replaced by the manufacturer or his service agent or a similarly qualified person in order to avoid a hazard.
17. This appliance is not intended for use by persons (including children) with reduced physical, sensory or mental capabilities, or lack of experience and knowledge unless they have been given supervision or instruction concerning the use of the appliance by a person responsible for their safety. Children should be supervised to ensure that they do not play with the appliance.
18. This appliance is not intended to be operated using an external timer or separate remote-control system
19. Do not operate the appliances with the upper lid opened.

## **SAVE THESE INSTRUCTIONS**

This appliance is for household use only.

No user-serviceable parts inside. Refer servicing to qualified service personnel.

A short power-supply cord is provided to reduce the hazards resulting from entanglement or tripping over a long cord. An extension cord may be used with care, however, the marked electrical rating should be at least as great as the electrical rating of this appliance. The extension cord should not be allowed to drape over the counter or tabletop where it can be pulled by children or tripped over.

## **SPECIAL INSTRUCTIONS**

THIS UNIT IS FOR HOUSEHOLD USE ONLY

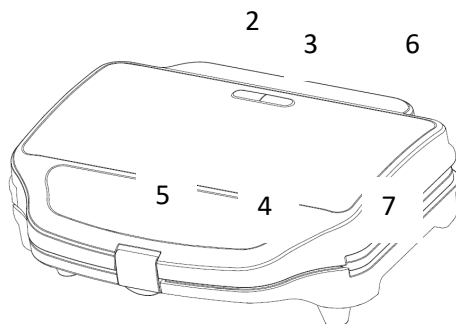
## **SHORT-CORD INFORMATION**

A short power-supply cord is provided to reduce the risk of becoming entangled in or tripping over a long cord. Extension cords may be used if care is exercised in their use.

If an extension cord is used, the marked electrical rating of the extension cord should be at least as great as the electrical rating of the appliance. The cord should be arranged so that it will not drape over the countertop or tabletop where it can be pulled on by children or tripped over unintentionally.

### KNOW YOUR SANDWICH MAKER

1. **Set of three plates** with high-temperature nonstick characteristics
2. Power Indicator shows a red light when the electric plug of the sandwich maker is put into a wall power outlet.
3. Ready Indicator shows a green light when the unit stops heating.
4. Handle with cool-touch.
5. Buckle can lock unit when it closed
6. Unit can be stored upright to save space.
7. Non-slide feet can avoid the maker from sliding on a slope.



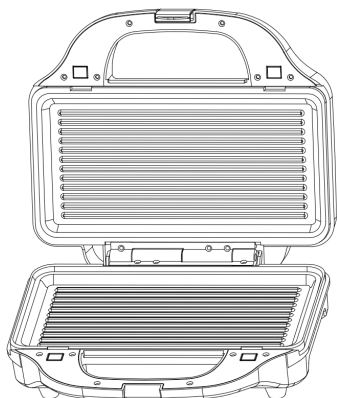
1



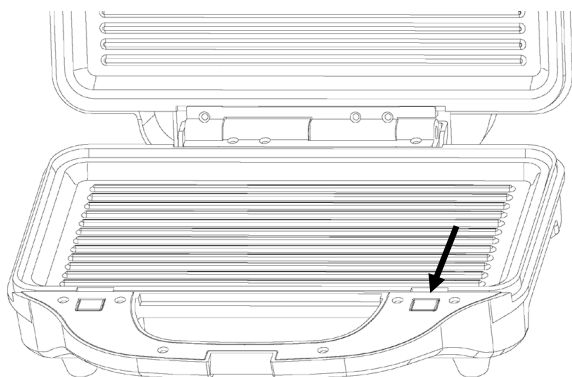
a Grill Plate

b **Sandwich plate**c **Waffle plate**

This sandwich maker incorporates detachable cooking plates. Install the cooking plates as shown in the following illustrations.



Open the sandwich maker



To remove cooking plates: Press the button and lift the cooking plates upwards.

To install the cooking plate, place it in position. Make certain the slot of the cooking plate hooks with the hinge. Press the cooking plate down with a little force until a “click” sound is heard.

**ON FIRST USE PLEASE PAY ATTENTION TO:**

- Clean the baking tray with a piece of damped cloth or foam rubber.
- Gently apply butter or edible oil to the baking tray.
- Put the electric plug into the wall outlet and the power indicator light (1) will turn orange. Once the device has been preheated, the heat indicator light (2) will turn on. You should wait for the automatic turn-on of the green light before you bake the food.

**Attention!** A slight smock will show on the first use of the sandwich maker, and this is normal because the internal parts are heated for the first time.

### **PREPARING SANDWICHES**

- Put the plug into the wall outlet, then the red light will go.
- The sandwich maker is ready for use after the green light automatically turns on.
- Make ready your sandwich ingredients. For one sandwich use two pieces of bread and a certain quantity of ingredients. You might refer to some recommended ingredients.
- To achieve a golden color effect, you can apply some butter to the side of the bread on which the bread contacts the baking tray.
- When placing the first piece of bread, make sure that the side with the butter faces the lower baking tray. Load your ingredients and cover them with the second piece of bread with butter applied, then you can have a satisfying sandwich. Place the ingredients well to get the ideal effect.
- Lower the upper baking tray carefully and press it on the bread, then lock the handle clasp.
- Open up the sandwich maker after heating it for 2-3 minutes to check if the sandwich has turned to the golden color you wanted. Control the baking period according to your taste.
- Take out the sandwich with a non-metal tool. Do not use sharp or abrasive tools.
- Unplug the electric plug after use.
- **Attention!** The red light will be automatically turned on or off in a regular pattern during use, and the machine can control its temperature in a normal range.

### **AFTER USE:**

Unplug the electric plug, and cool the machine before cleaning.

Clean the baking tray with a piece of damp cloth or foam rubber. Never immerse the product in water to avoid any water getting into the interior of the machine.

To avoid damaging the high-temperature nonstick characteristics of the baking tray never use an abrasive cloth for cleaning.

**Technical Data:**

220-240V~50/60Hz, 900W

**Caution:**  **the surfaces are liable to get hot during use**

**IMPORTANT INFORMATION FOR CORRECT DISPOSAL OF THE PRODUCT IN ACCORDANCE WITH EC DIRECTIVE 2002/96/EC.**

At the end of its working life, the product must not be disposed of as urban waste.

It must be taken to a special local authority differentiated waste collection center or to a dealer providing this service.

Disposing of a household appliance separately avoids possible negative consequences for the environment and health, deriving from inappropriate disposal and enables the constituent materials to be recovered to obtain significant savings in energy and resources. As a reminder of the need to dispose of household appliances separately, the product is marked with a crossed-out wheeled dustbin.

