

Rohnson[®]

INSTRUCTION MANUAL

Meat grinder with tomato accessory

MODEL: R-5415

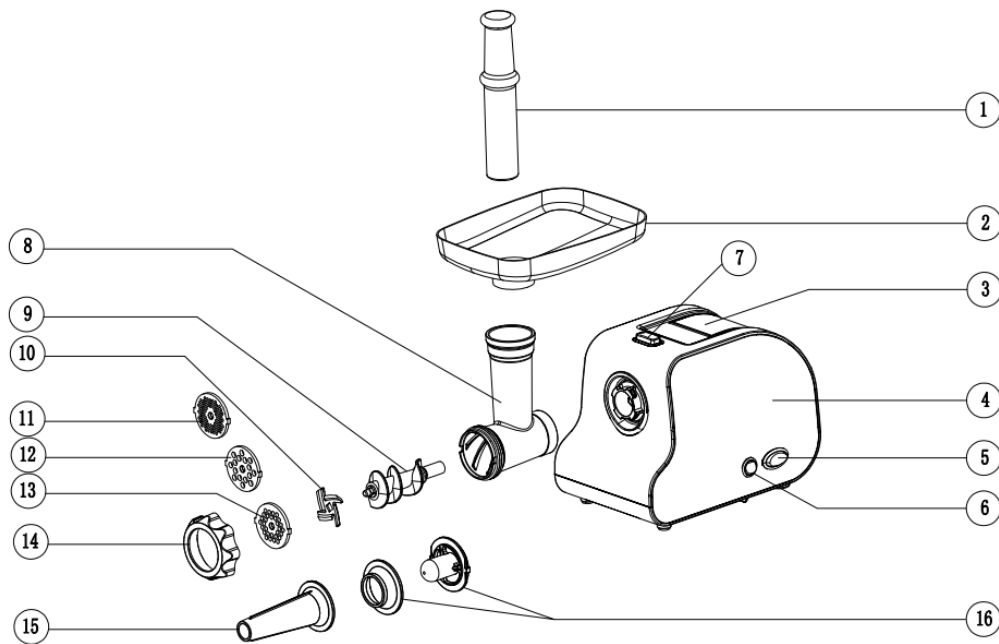


Rated voltage: 220-240V~ 50/60Hz

Rated power: 800W / 2000W max locked power

**Please read thoroughly for important safety
and save these instructions**

DESCRIPTION



- | | |
|--------------------------|--------------------------|
| 1. Food pusher | 9. Feed screw |
| 2. Hopper plate | 10. Cutting blade |
| 3. Storage box | 11. Cutting plate (3mm) |
| 4. Motor housing | 12. Cutting plate (7mm) |
| 5. ON/OFF/REVERSE switch | 13. Cutting plate (5mm) |
| 6. ON/REVERSE switch | 14. Nut |
| 7. Push knob | 15. Sausage attachment |
| 8. Grinder head | 16. Kibbe attachment |

IMPORTANT SAFEGUARDS

- ◆ Household use only. Do not use for industrial purpose.
- ◆ Unplug from outlet when assembling and disassembling the unit.
- ◆ Close supervision is necessary when any appliance is used near children.
- ◆ When carrying the unit be sure to hold the motor housing with both hands. Do not carry the unit by holding only the hopper plate or head.
- ◆ Do not fix the cutting blade and cutting plate when using kibbe attachment.
- ◆ Never feed food by hand. Always use food pusher.
- ◆ Do not grind hard food such as bones, nuts, etc.
- ◆ Do not grind ginger and other materials with hard fiber.

- ◆ Continuous running of meat grinder should be not more than 10 minutes with the following 10 minutes interval for motor cooling.
- ◆ Reverse function is prohibited while the appliance is operating (For example switch“ON” knob to “R” knob or on the contrary), wait at least one minute until grinder has come to a complete stop, otherwise it may cause an abnormal noise, vibration or a transitory electric spark in the appliance. It could result easily damage to appliance and make a user frightened.
- ◆ After use, there would be a little food left in the grinder head. This is normal.
- ◆ To avoid jamming, do not force to operate the unit with excessive pressure.
- ◆ When the circuit breaker activates, do not switch on.
- ◆ Never try to replace the parts and repair the unit by yourself.
- ◆ When the appliance is not in use and before cleaning, unplug the appliance from the outlet.
- ◆ To protect against the risk of electrical shock, do not immerse the unit, cord or plug in water or other liquid.
- ◆ This appliance is not intended for use by persons (including children) with reduced physical, sensory or mental capabilities, or lack of experience and knowledge, unless they have been given supervision or instruction concerning use of the appliance by a person responsible for their safety.
- ◆ Children should be supervised to ensure that they do not play with the appliance. If the supply cord is damaged, it must be replaced by the manufacturer, its service agent or similarly qualified persons in order to avoid a hazard.

FOR THE FIRST TIME

- ◆ Check that voltage indicated on the rating label corresponds the mains voltage in your home.
- ◆ Wash all parts (except body) in warm soapy water.
- ◆ Before plugging in, ensure the “ON/OFF/ Reverse” switch is turned to "OFF" position.

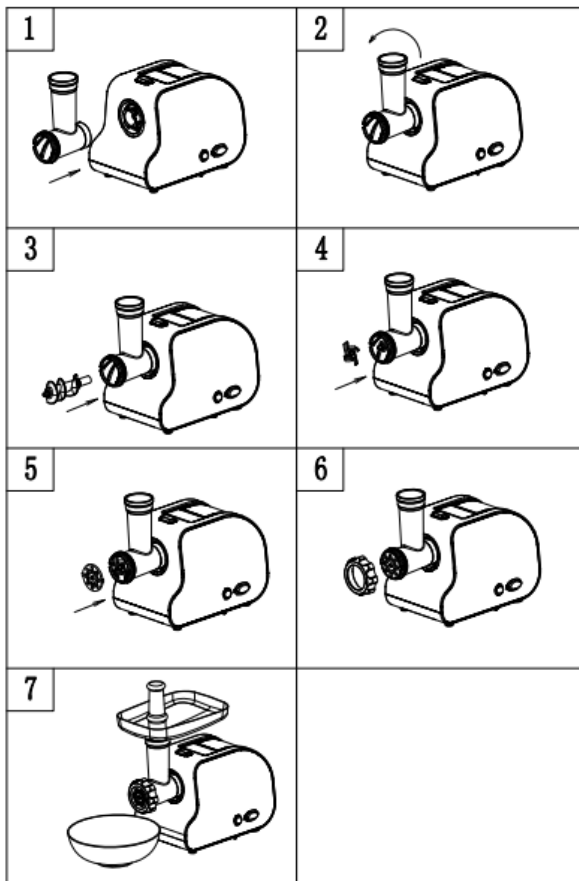
INSTRUCTION FOR USE

ASSEMBLING

- ◆ Holding the head and insert it in the inlet with one hand, push the black knob with another hand,tighten it anticlockwise to secure the head . (fig.1,2).
- ◆ Place the feed screw into the head, long end first, by turning the feed screw slightly until it is set into the motor housing (fig.3).
- ◆ Place the cutting blade onto the feed screw shaft with the blade facing the front as

illustrated (fig.4). If it is not fitted properly, meat will not be ground.

- ◆ Place the desired cutting plate next to the cutting blade, fitting protrusions in the slots (fig.5).
- ◆ Support or press the centre of the cutting plate with one finger then screw the nut until tight with another hand (fig.6). Do not over tighten.
- ◆ Locate the unit on a firm place.
- ◆ The air passage at the bottom and the side of the motor housing should be kept free and not blocked.



MINCING MEAT

- ◆ Cut all foods into pieces (Sinewless, boneless and fatless meat is recommended, approximate size: 20 mm x 20 mm x 60 mm) so that they fit easily into the hopper opening.
- ◆ Plug in and turn the "R / ON" switch to "ON" position, then turn the "ON/OFF/ Reverse" switch to "ON" position.
- ◆ Feed foods into the hopper plate. Use only the food pusher (fig.7).
- ◆ After use switch the unit off and unplug it from the power supply.

REVERSE FUNCTION

- ◆ In case of jamming switch the appliance off by turning the "R / ON" switch to "R" position and "ON/OFF/ Reverse" switch to "R" position.
- ◆ Feed screw will be rotating in the opposite direction, and the head will get empty.

◆ If it doesn't work, switch the unit off, plug out and clean it.

MAKING KIBBE

RECIPE STUFFING

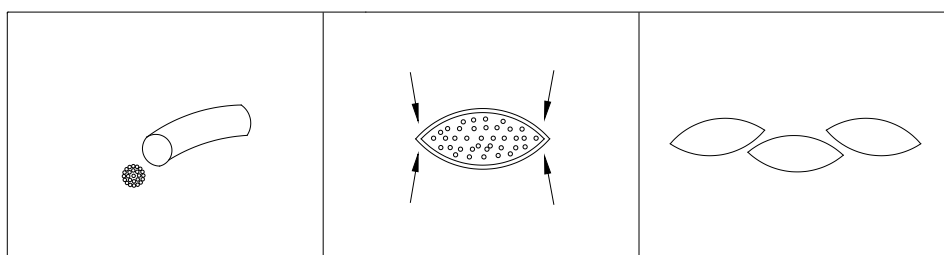
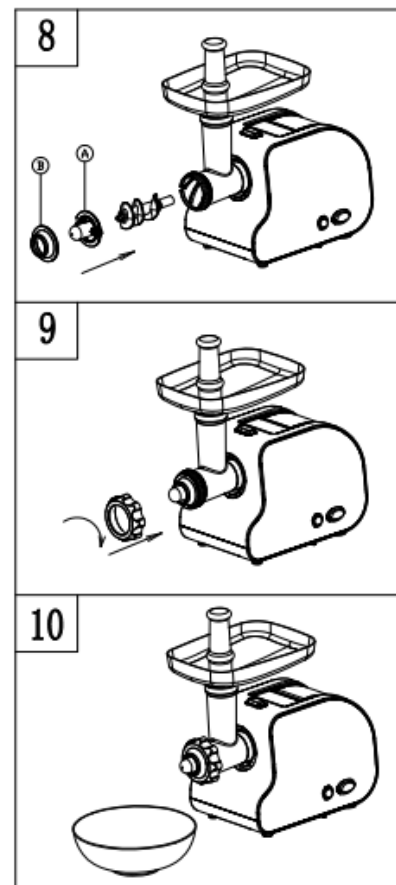
Mutton 100g
Olive oil 1 tablespoons
Onion (cut finely) 1 tablespoons
Spices to your taste
Salt to your taste
Flour 1 1/2 tablespoons

- ◆ Mince mutton once or twice.
- ◆ Fry onion until brown and add minced mutton, all spice, salt and flour.

OUTLET COVER

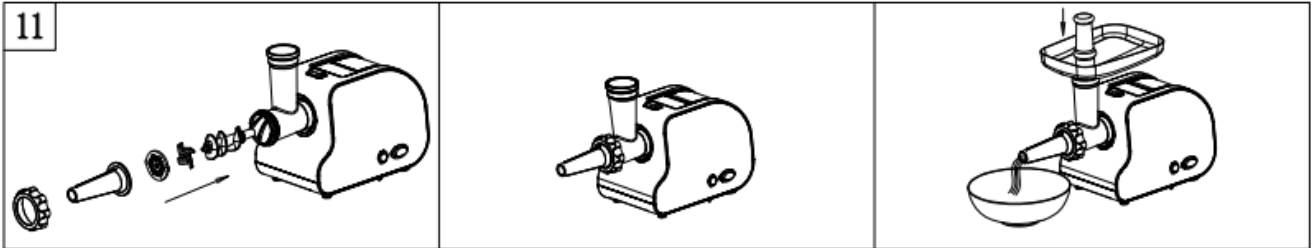
Lean meat 450g
Flour 150-200g
Spices to your taste
Nutmeg (cut finely) 1
Powdered red pepper to your taste
Pepper to your taste

- ◆ Mince meat three times and mix all ingredients together in a bowl. More meat and less flour for outlet cover creates better consistency and taste.
- ◆ Grind the mixture three times.
- ◆ Disassemble by reversing the steps from 5-3 to remove the cutting plate and cutting blade.
- ◆ Place kibbe attachments onto the feed screw shaft together, fitting protrusions in the slots (fig.8).
- ◆ Screw nut into place until tight. Do not over tighten (fig.9).
- ◆ Make the cylindrical outlet cover (fig.10).
- ◆ Form kibbe as illustrated below and deep fry.

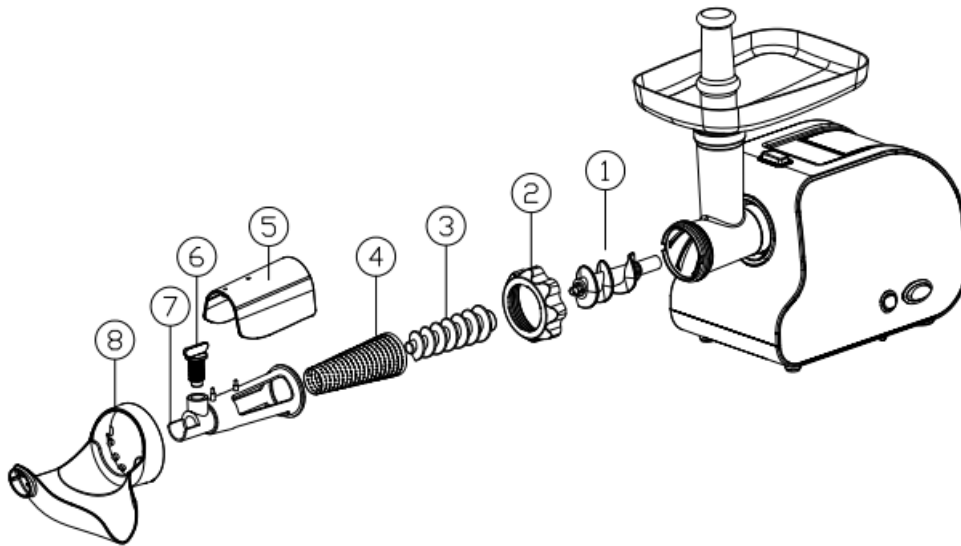


MAKING SAUSAGE

- ◆ Before starting please assemble sausage attachment as per following (fig.11)



MARKING TOMATO JUICE



1. Screw A
2. Nut
3. Screw B
4. Wire frame
5. Covering plate
6. Standard level
7. Feed screw bracket
8. Tray

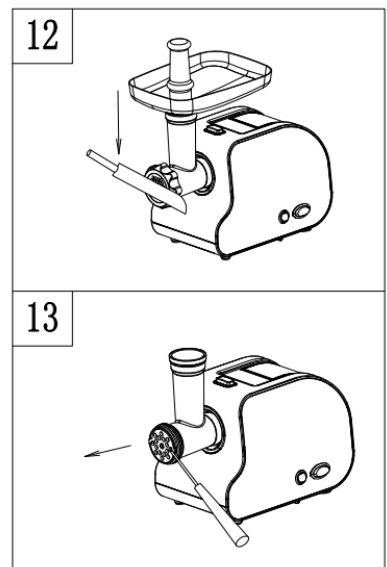
- ◆ Make sure the unit is OFF and the motor has stopped complete before disassembling the unit.
- ◆ Insert the feed screw into the mincer head body long end first.

- ◆ Position the wire frame(4) onto the feed screw(3)with the frew screw bracket(7) facing bulgy seat.
- ◆ Note:If it is not fitted properly, juicer will not be assembling well.
- ◆ Securely attach the fixing ring to the end of the mincer head body Do not over tighten.
- ◆ Place the tray(8) on the mincer head body.
- ◆ Position the standard level(6) onto the feed screw bracket(7).Be sure the notched on the standard level(6) fit into the feed screw bracket(7).
- ◆ When you are ready to operating,use the food pusher to push food gently,one piece at a time into the tube.and turn on the standard level(6)for the tomato juice and tomato push out without delay.

CLEANING AND MAINTENANCE

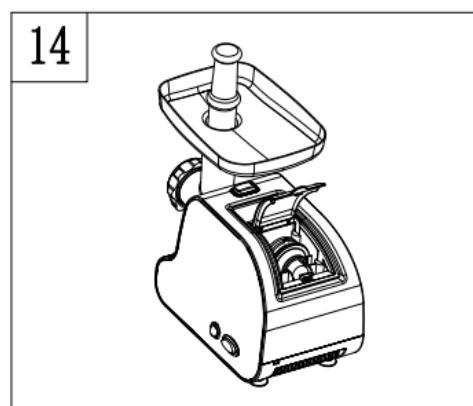
DISASSEMBLING

- ◆ Make sure that the motor has stopped completely.
- ◆ Disconnect the plug from the power outlet.
- ◆ Disassemble by reversing the steps from 6-1pictures.
- ◆ If the fixing ring is not easily removed by hands, please use tools to peel off the blocked meat (fig.12) .
- ◆ To remove the cutting plate easily, place a screwdriver between the cutting plate and the head as illustrated and lift it up (fig.13).



CLEANING

- ◆ Remove meat, etc. Wash each part in warm soapy water.
- ◆ A bleaching solution containing chlorine will discolor aluminum surfaces.
- ◆ Do not immerse the motor housing in water, but only wipe it with a damp cloth and then dry it thoroughly.
- ◆ Thinners and petrol will crack or change the color of the unit.
- ◆ Wipe all the cutting parts by vegetable oil -wet cloth.
- ◆ Store the clean cutting plate and kibbe attachment into storage box(fig.14).





IMPORTANT INFORMATION FOR CORRECT DISPOSAL OF THE PRODUCT IN ACCORDANCE WITH EC DIRECTIVE 2002/96/EC.

At the end of its working life, the product must not be disposed of as urban waste. It must be taken to a special local authority differentiated waste collection center or to a dealer providing this service. Disposing of a household appliance separately avoids possible negative consequences for the environment and health, deriving from inappropriate disposal and enables the constituent materials to be recovered to obtain significant savings in energy and resources. As a reminder of the need to dispose of household appliances separately, the product is marked with a crossed-out wheeled dustbin.